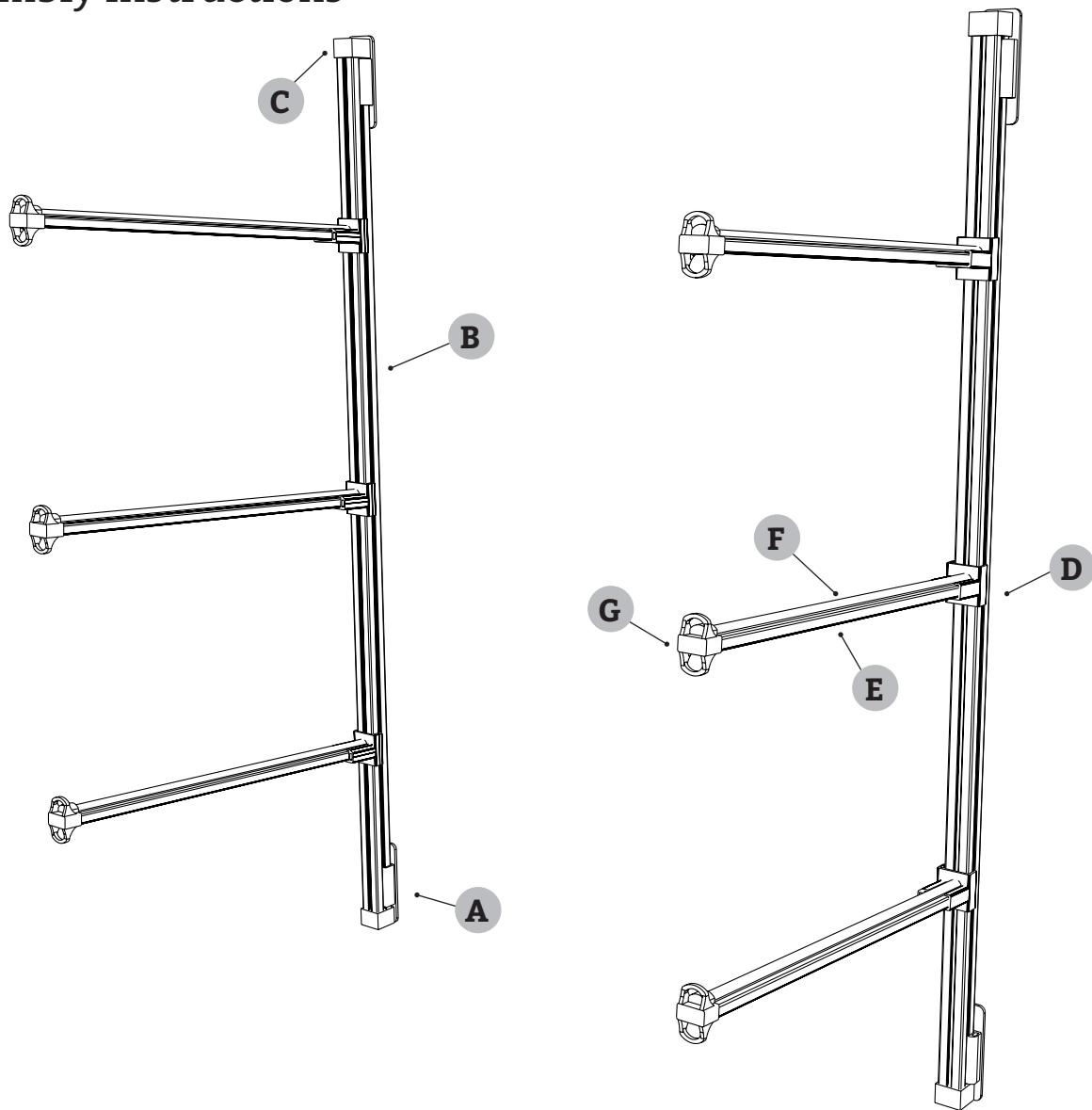


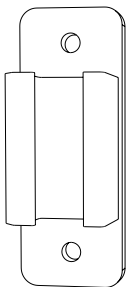
# Wall-Mounted Storage Rack

## Assembly Instructions



### MOUNTING your storage rack

**WALL BRACKET** *The wall brackets of your storage rack need to be mounted to a stud, header or other secure material.*



**NOTE:** *You will need 8 fasteners (not included) for attaching the wall brackets to your wall. The length and style of these will vary based on your mounting surface and location.*

*The fasteners you provide cannot be raised above the channel in the bracket once installed into your surface.*

### RACK COMPONENTS

| PART NAME                    | QTY |
|------------------------------|-----|
| A. WALL BRACKET .....        | 4   |
| B. UPRIGHT BAR (80") .....   | 2   |
| C. UPRIGHT BAR END CAP ..... | 4   |
| D. ARM BRACKET .....         | 6   |
| E. ARM (35").....            | 6   |
| F. ARM HULL GUARD (34")..... | 6   |
| G. ARM END CAP.....          | 6   |

# Wall-Mounted Storage Rack: Assembly Instructions

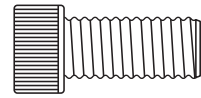
## RACK COMPONENTS

| PART NAME                     | QTY |
|-------------------------------|-----|
| A. WALL BRACKET .....         | 4   |
| B. UPRIGHT BAR (80") .....    | 2   |
| C. UPRIGHT BAR END CAP .....  | 4   |
| D. ARM BRACKET .....          | 6   |
| E. ARM (35").....             | 6   |
| F. ARM HULL GUARD (34") ..... | 6   |
| G. ARM END CAP.....           | 6   |

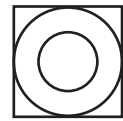
## HARDWARE

| PART NAME          | QTY |
|--------------------|-----|
| ALLEN BOLT .....   | 10  |
| EYE BOLT .....     | 6   |
| BRASS NUT .....    | 16  |
| ALLEN WRENCH ..... | 1   |

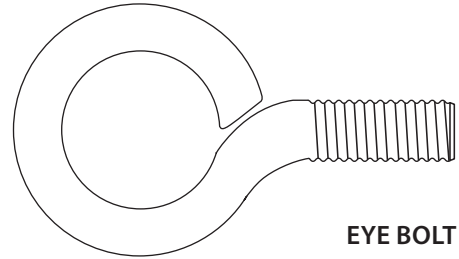
**ADDITIONAL ARMS**  
 if you ordered additional arms for a custom configuration, each arm will have (1) eye bolt, (1) allen bolt & (2) brass nuts.



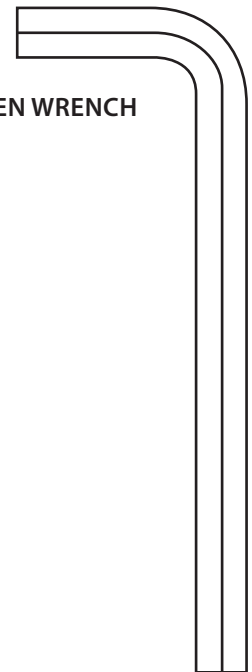
ALLEN BOLT



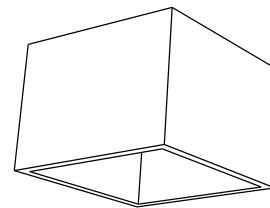
BRASS NUT



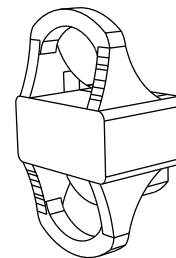
EYE BOLT



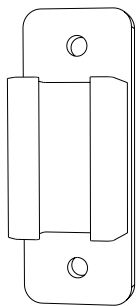
ALLEN WRENCH



UPRIGHT BAR END CAP\*



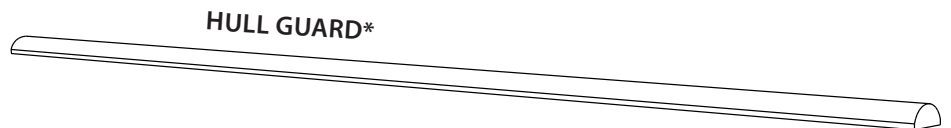
ARM END CAP\*



WALL BRACKET\*

**NOTE:** You will need 8 fasteners (not included) for attaching the wall brackets to your wall. The length and style of these will vary based on your mounting surface and location.

The fasteners cannot be raised above the channel once installed into your surface.



HULL GUARD\*

\*Items are not to scale.

# Wall-Mounted Storage Rack: Assembly Instructions

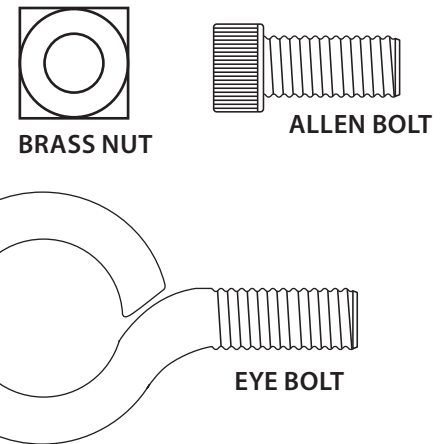
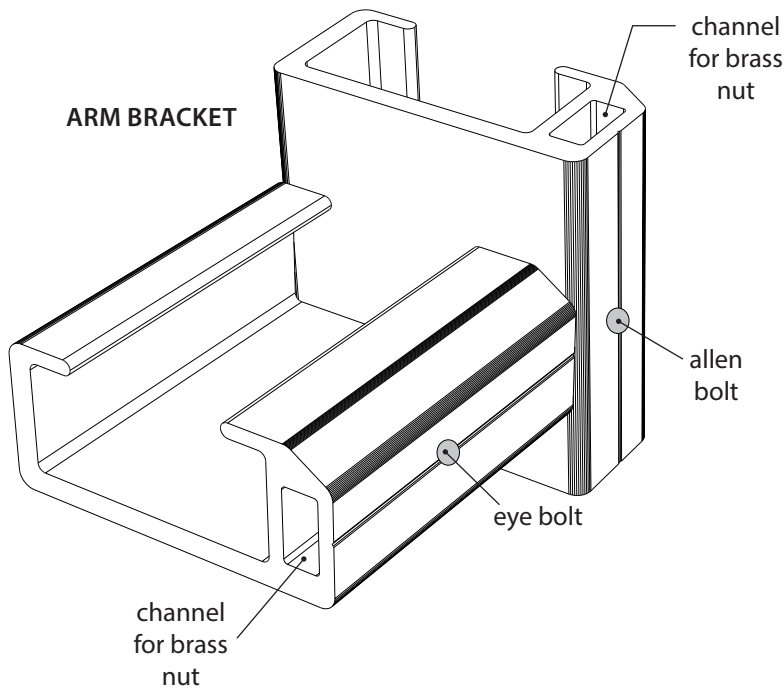
## Step 1: Pre-assemble hardware ARM BRACKETS:

*Assembly of your rack will be easier if you install hardware onto some of the components before assembling them onto the rack.*

Install (1) allen bolt, (1) eye bolt and (2) brass nuts onto each of the (6) arm brackets. Loosely install the allen and eye bolts onto the arm brackets (do not tighten them).

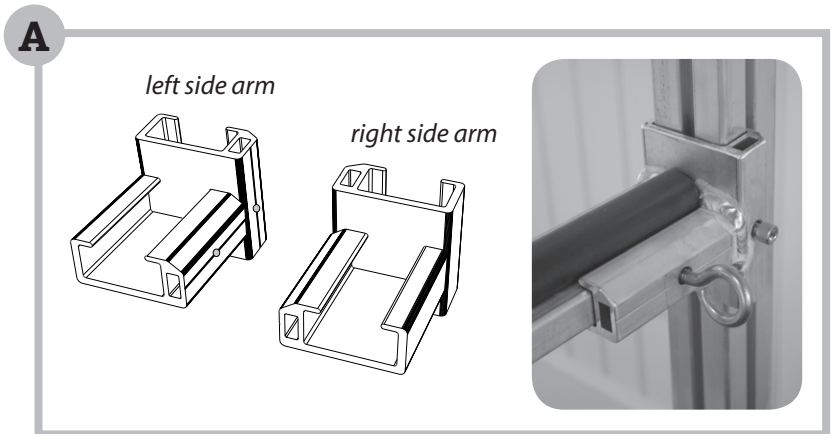
NOTE: You will have "left" and "right" arm brackets. When assembled, the allen and eye bolts will face the inside of the rack when installed onto the rack (see Figure A).

| Step 1       |          |
|--------------|----------|
| Parts Needed | Quantity |
| Arm Brackets | 6        |
| Eye Bolts    | 6        |
| Allen Bolts  | 6        |
| Brass Nuts   | 12       |



### ASSEMBLY TIP

To install the allen and eye bolts, hold the arm bracket horizontally or place it on a flat surface. Slide (1) brass nut into the channel. Use the included allen wrench to slide the nut into place. Loosely thread the allen bolt or eye bolt onto the brass nut.



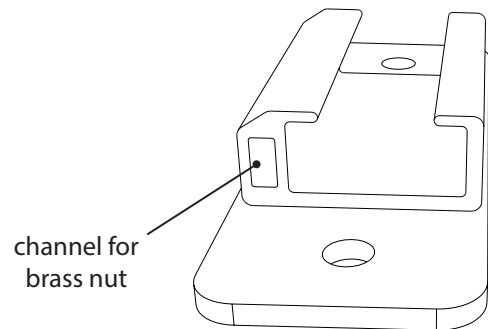
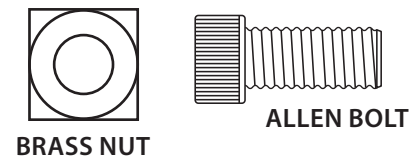
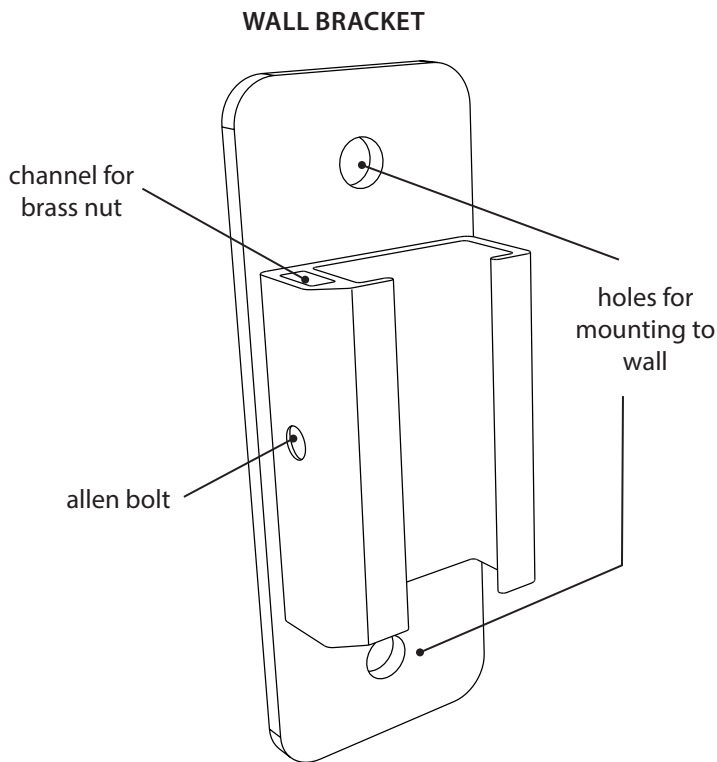
## Wall-Mounted Storage Rack: Assembly Instructions

### Step 2

| Parts Needed  | Quantity |
|---------------|----------|
| Wall Brackets | 4        |
| Allen Bolts   | 4        |
| Brass Nuts    | 4        |

### Step 2: Pre-assemble hardware onto WALL Brackets:

Install (1) allen bolt and (1) brass nuts onto each of the (4) wall brackets. Loosely install the allen bolts (do not tighten them).



### ASSEMBLY TIP

To install the allen and eye bolts, hold the arm bracket horizontally or place it on a flat surface. Slide (1) brass nut into the channel. Use the included allen wrench to slide the nut into place. Loosely thread the allen bolt or eye bolt onto the brass nut.

**NOTE:** The fasteners you provide cannot be raised above the channel once installed into your surface.

## Wall-Mounted Storage Rack: Assembly Instructions

### Step 2: Measure and Attach Upper Wall Brackets

NOTE: The wall brackets of your storage rack need to be mounted to a stud, header or other secure material.

The distance between the top and bottom brackets should be a maximum of 80.5" (see Figure B). The distance between the top brackets can vary based on the width you need for your storage needs and the locations of studs or headers in your mounting surface.

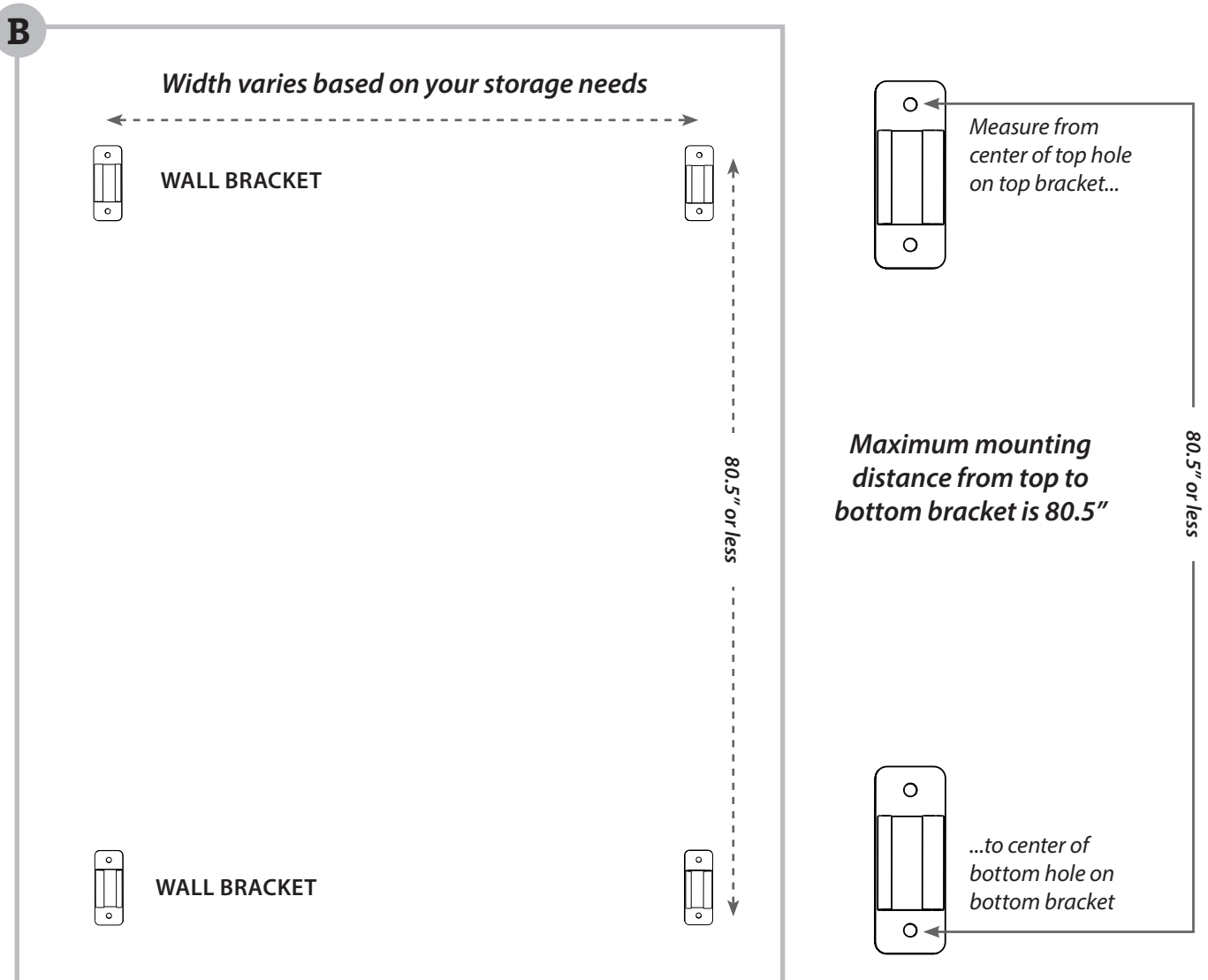
Mount the TOP BRACKETS to the wall in the position desired using the appropriate fasteners (not supplied) for your surface.

**Make sure the fastener is not raised above the channel once installed into your surface. (Note: Do not mount the bottom brackets yet, you will mount them in Step 4).**

#### Step 2

| Parts Needed                | Quantity |
|-----------------------------|----------|
| Wall Brackets               | 2        |
| Fasteners*<br>(you provide) | 4        |

\* You will need 8 fasteners (not included) for attaching the wall brackets. You will use (4) four in Step 2, and (4) four in Step 4. The length and style of these will vary based on your mounting surface and location.



LAUNCHES • TRAILERS • RACKS

**Paddle Products** The Dock Doctors

Toll Free: 1-800-870-6756 | info@thedockdoctors.com | www.thedockdoctors.com

## Wall-Mounted Storage Rack: Assembly Instructions

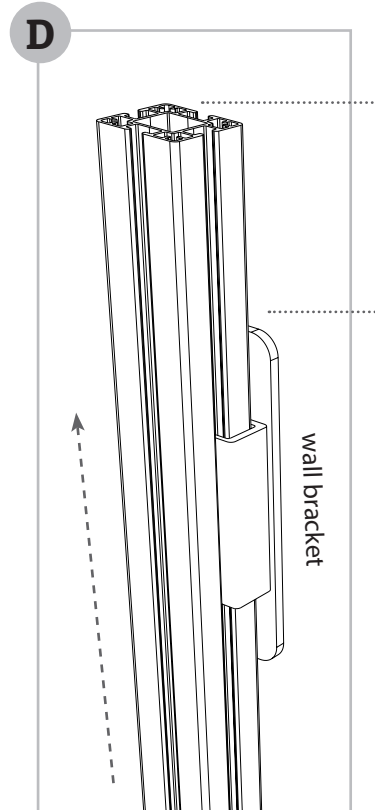
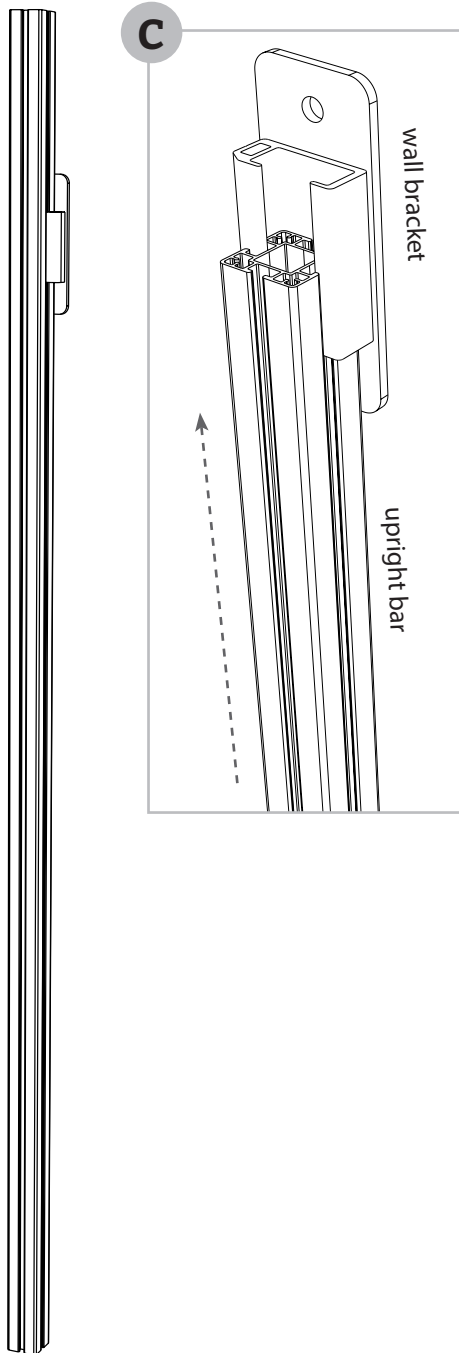
### Step 3

| Parts Needed | Quantity |
|--------------|----------|
| Upright Bar  | 2        |

### STEP 3: Attach Upright Bars to Upper Wall Brackets

Take (1) upright bar and slide it into one of the top brackets that you mounted in Step 2 (see Figure C).

Slide the bar about 6 inches above the top bracket (see Figure D), then hand-tighten the allen bolt on the wall bracket to hold the upright bar in place. Repeat with the other upright bar.



*Slide upright bar about 6" above wall bracket - this will allow you to install lower bracket in the proper position in Step 4.*

# Wall-Mounted Storage Rack: Assembly Instructions

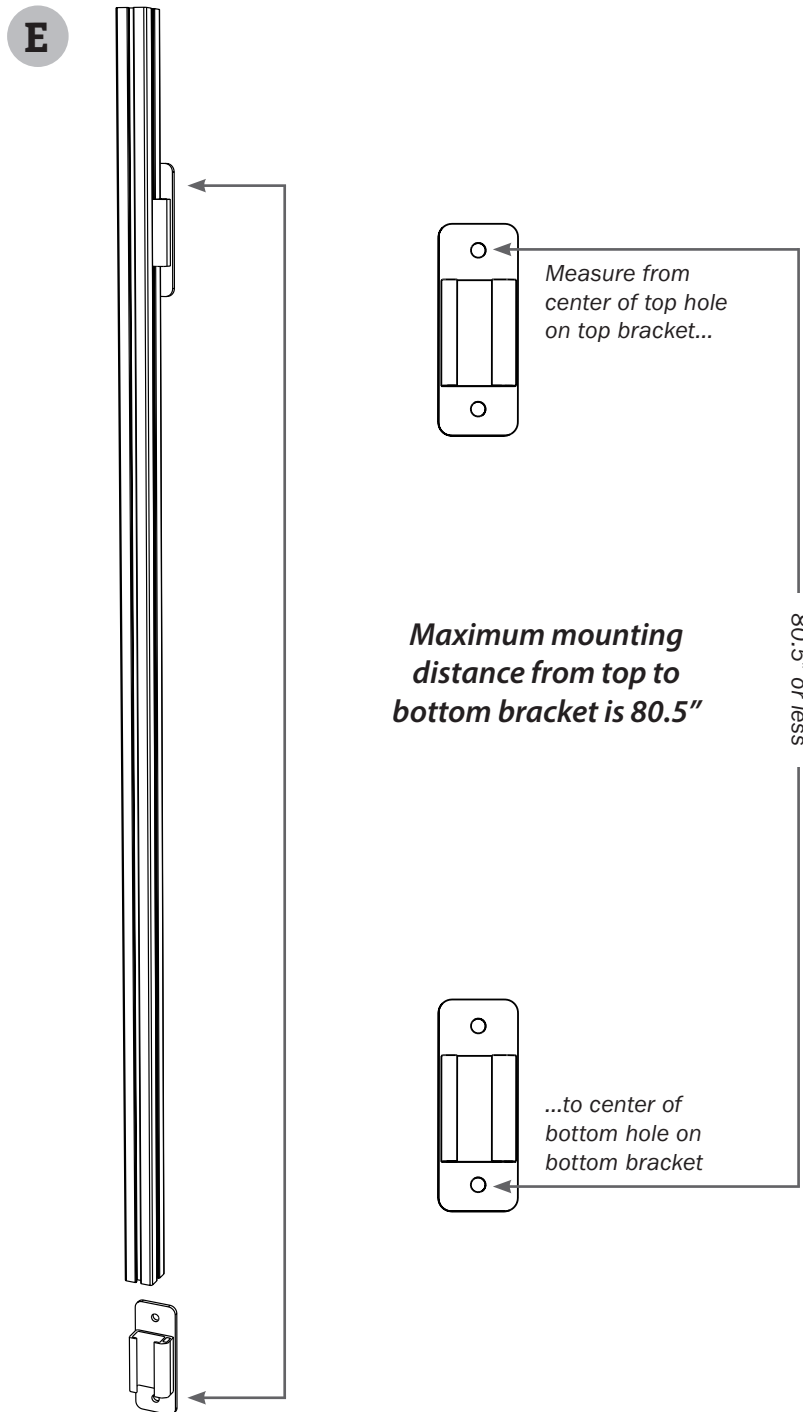
## Step 4

| Parts Needed               | Quantity |
|----------------------------|----------|
| Wall Brackets              | 2        |
| Fasteners<br>(you provide) | 4        |

### STEP 4: Attach Lower Wall Brackets

Align and mark the **BOTTOM WALL BRACKETS**, making sure they are no more than 80.5" below the top brackets (see Figure E).

Mount the **BOTTOM WALL BRACKETS** to the wall in the position desired using your supplied fasteners.



# Wall-Mounted Storage Rack: Assembly Instructions

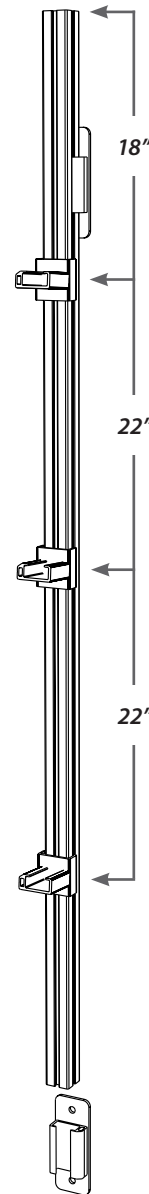
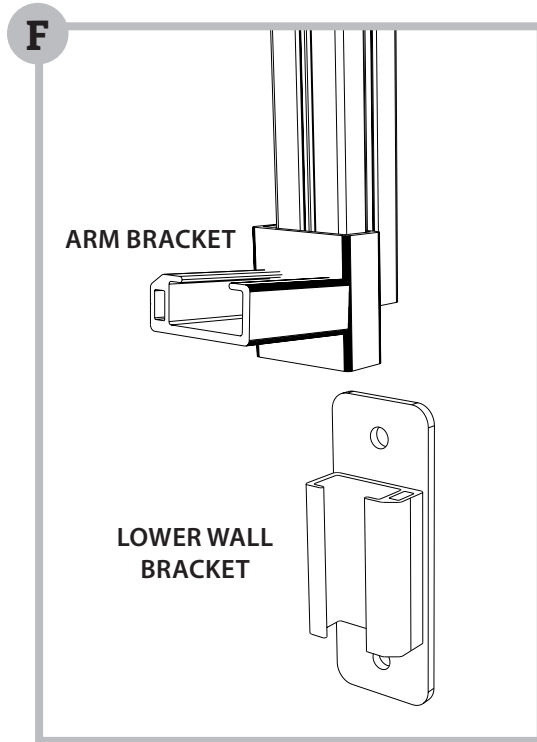
## Step 5

| Parts Needed | Quantity |
|--------------|----------|
| Arm Brackets | 6        |

### STEP 5: Attach Arm Brackets

Take (3) arm brackets and slide them onto the upright bar from the bottom (see Figure F).

Position them in the approximate positions shown below. Once positioned, hand-tighten the allen bolts on the side of the arm brackets to secure them to the upright bar.





# Wall-Mounted Storage Rack: Assembly Instructions

## Step 6

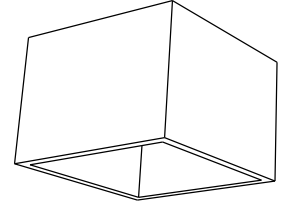
| Parts Needed         | Quantity |
|----------------------|----------|
| Upright Bar End Caps | 4        |

### STEP 6: Upright Bar into Lower Wall Bracket

6.1: Loosen the allen bolt on either top wall bracket, then slide the upright bar (with arm brackets in position) into the lower bracket.

6.2: Hand-tighten the allen bolts on the upper and lower wall brackets to secure the upright bar in place.

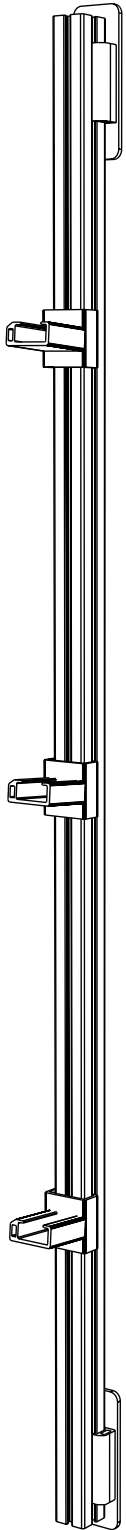
6.3: Repeat Steps 6.1 and 6.2 with the other upright bar.



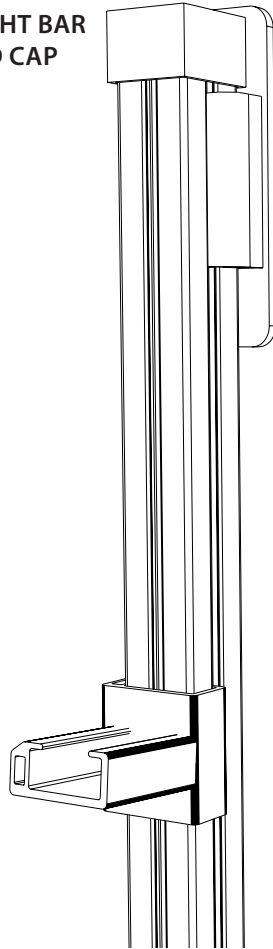
UPRIGHT BAR END CAP

### STEP 7: Attach End Caps

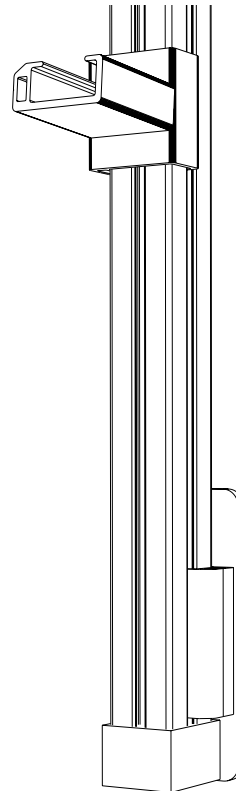
Take (4) upright bar end caps and place them on the top and bottom of each upright bar.



UPRIGHT BAR  
END CAP



TOP WALL  
BRACKET



BOTTOM WALL  
BRACKET

UPRIGHT BAR  
END CAP

LAUNCHES • TRAILERS • RACKS

**Paddle**  
Products The Dock Doctors

Toll Free: 1-800-870-6756 | info@thedockdoctors.com | www.thedockdoctors.com

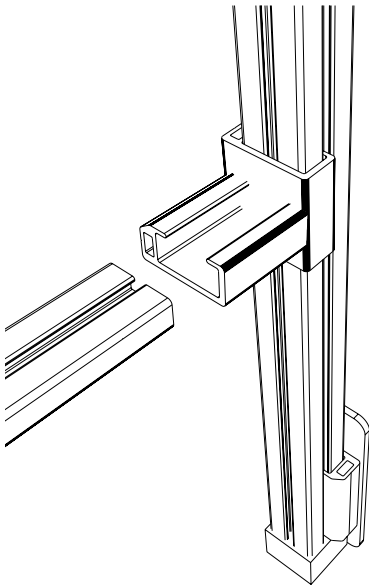
## Wall-Mounted Storage Rack: Assembly Instructions

### STEP 8: Install Arms, Hull Guards & Arm End Caps

*NOTE: Depending upon the type of crafts you will store on the rack, you may want to adjust the position of the arms.*

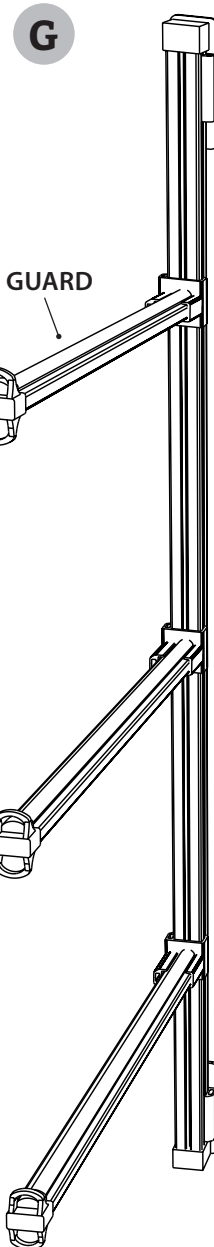
Install (6) arms into the arm brackets on each upright bar. Hand-tighten the allen bolts to secure the arm to the arm bracket.

Install hull guards and end caps onto each arm (see Figure G).



### Step 8

| Parts Needed | Quantity |
|--------------|----------|
| Arms         | 6        |
| Hull Guards  | 6        |
| Arm End Caps | 6        |



### STEP 9: Tighten All Bolts

Once you have all the components assembled and the arms spaced for your configuration, tighten all allen bolts and eye bolts with the provided allen wrench to complete the assembly and secure your rack.