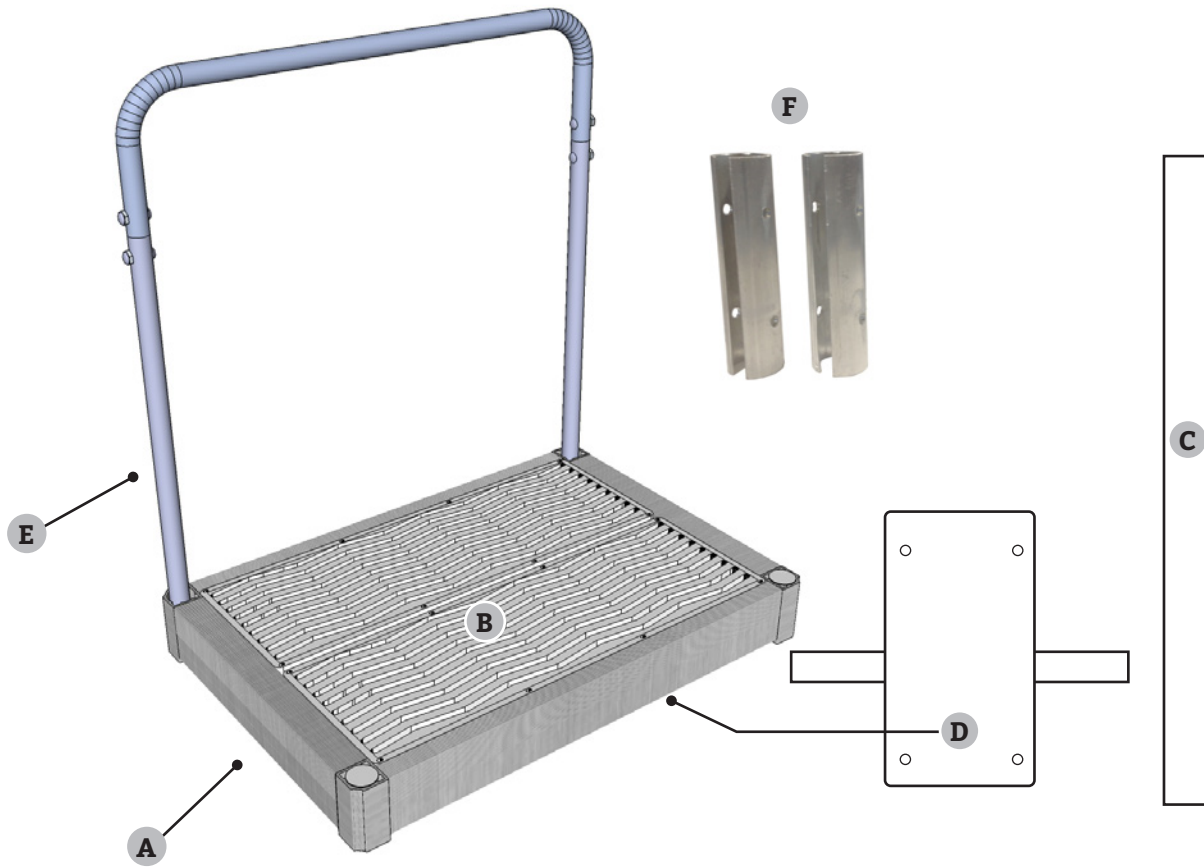


SLIDING BOARDING STEP

Assembly Instructions



IMPORTANT: You will need 4 anchoring bolts (not included) for attaching the sliding mount (qty 4). The length and style of these will vary based on your mounting location.

ASSEMBLY TOOLS NEEDED: #2 PHILLIPS HEAD SCREWDRIVER AND 7/16" WRENCH

PART NAME	QTY
A. BOARDING PLATFORM FRAME.....	1
B. DECKING PANELS	2
C. CENTER RAIL.....	1
(mounted to the underneath of the platform frame)	
D. SLIDING MOUNT	1
E. HANDRAIL (3 pieces).....	1
F. HANDRAIL SLEEVES	2

HARDWARE BAG	QTY
DECKING SCREWS	16
(for attaching decking to the platform frame)	
1/4" x 2 1/4" PAN HEAD BOLT	4
1/4" LOCK NUT	4
(for assembling handle)	
BLACK SAFETY CAPS	2

ASSEMBLY OVERVIEW

Temporarily remove decking:

- Remove Sure-Step decking from frame to access sliding mount

Mount Frame to Surface:

- Position boarding step in it's permanent location
- Secure sliding mount to your dock surface with mounting hardware (not provided)

Attach Handrail and Decking:

- Attach handrail to platform (can mount on either side)
- Attach decking to platform



IMPORTANT: You will need 4 anchoring bolts (not included) for attaching the sliding mount (qty 4). The length and style of these will vary based on your mounting location.

Sliding Boarding Step Disclaimers



CAUTION

It is critical that surface that your Sliding Boarding Step attaches to is substantial enough to carry the weight of the sliding boarding step and its occupant. Do not mount to rotten wood, crumbling concrete or other insecure surface.

Personal Injury & Property Disclaimer:

Please note that The Dock Doctors will not be held responsible for damages or injuries caused by or due to misuse, overloading, or improper mounting of the Sliding Boarding Step. The Dock Doctors does not accept liability ensuing from faulty assembly or installation if such assembly was not performed by our Company or an authorized Company dealer.

Sliding Boarding Step assembly instructions

Step 1

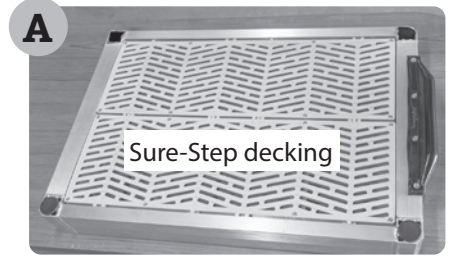
Parts Needed	Quantity
Boarding Platform Frame	1
Mounting Hardware (not provided)	4

STEP 1: Attach sliding mount to your dock or other surface:



IMPORTANT: You will need 4 anchoring bolts (not included) for attaching the sliding mount. The length and style of these will vary based on your mounting location.

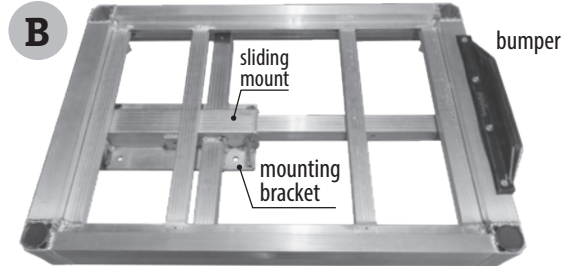
1. Remove the **Sure-Step decking** from the frame and place to the side.
2. Position the platform frame so the **sliding mount** is facing down and the **bumper** is facing up (see Figure B).
3. Position the sliding mount in its permanent location and mark the 4 holes on the **mounting bracket**.



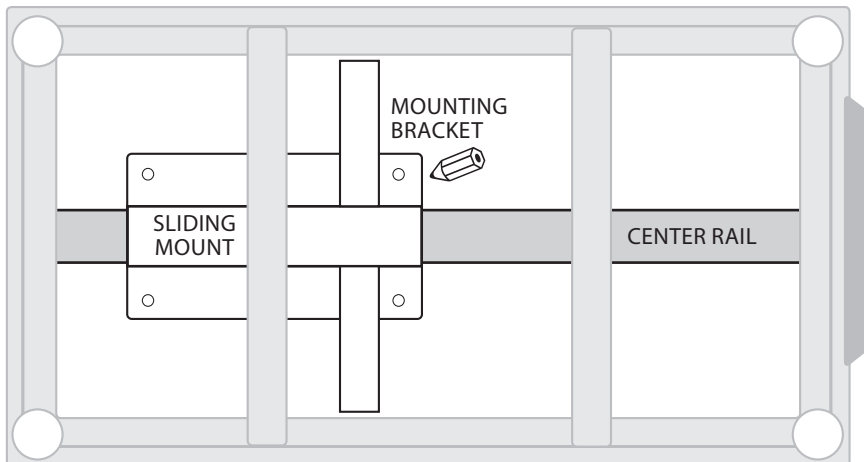
TIP

To determine the best mounting location for your sliding boarding step, we suggest placing the frame with sliding mount attached in its approximate location, then fully extend and fully retract the frame. Make adjustments to your mounting location based on these two positions (see Figure B).

extend and retract to determine best mounting position



4. Pre-drill the holes for your mounting bolts (not included), then install your mounting bolts, making sure the sliding mount is securely attached to your mounting surface.



CAUTION

Based on the design of this product, it is critical that the structure that it attaches to is substantial enough to carry the weight of the sliding boarding step and occupant.



Do not mount to rotten wood, crumbling concrete or other insecure surface, the boarding step could fail resulting in potential bodily injury and/or property damage.

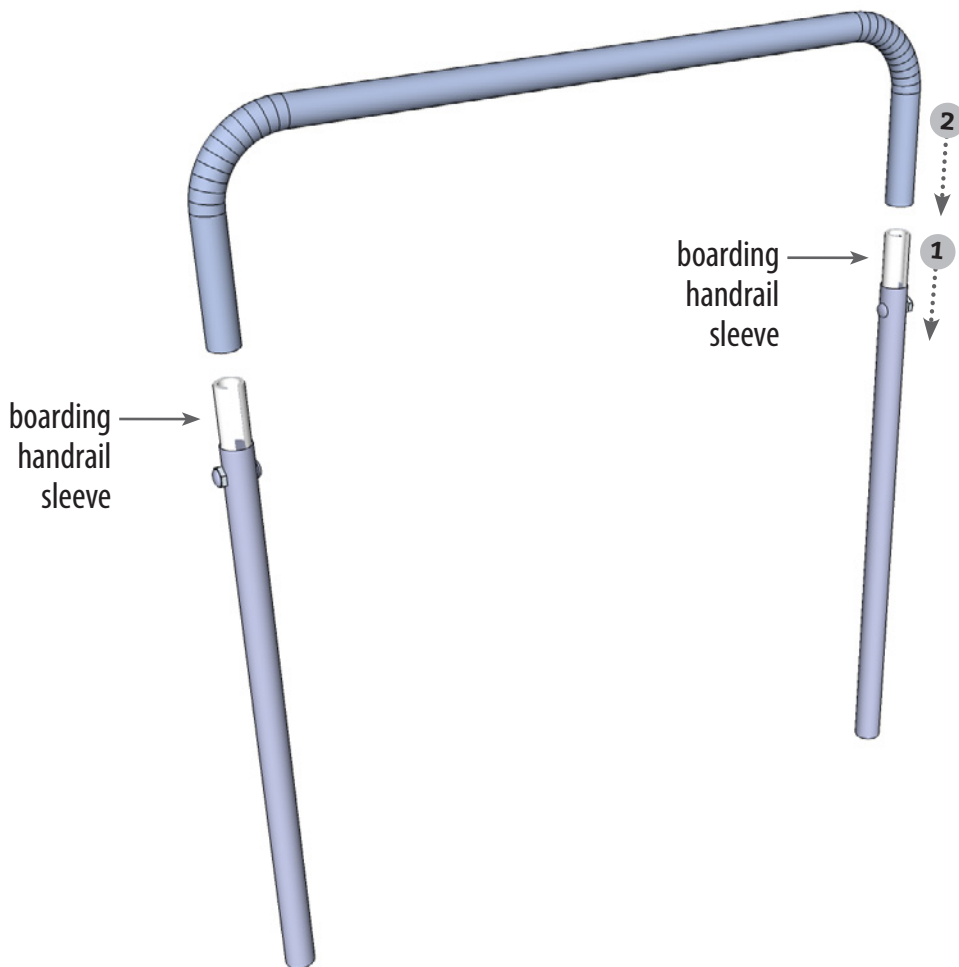
Sliding Boarding Step *assembly instructions*

STEP 2: Assemble Handrail:

1. Take the (2) handrail sleeves and insert them to the top of the (2) straight pieces of the boarding handle. Attach each sleeve with (2) 2 ¼" pan head bolts and (2) ¼" lock nuts.
2. Take the top top curved section of the handrail and attach to the handrail sleeves. Secure with (2) 2 ¼" pan head bolts, and (2) ¼" lock nuts.

Step 2

Parts Needed	Quantity
Handrail (3 pieces)	1
Handrail Sleeves	2
¼" × 2 ¼" Pan Head Bolts	4
¼" Lock Nuts	4



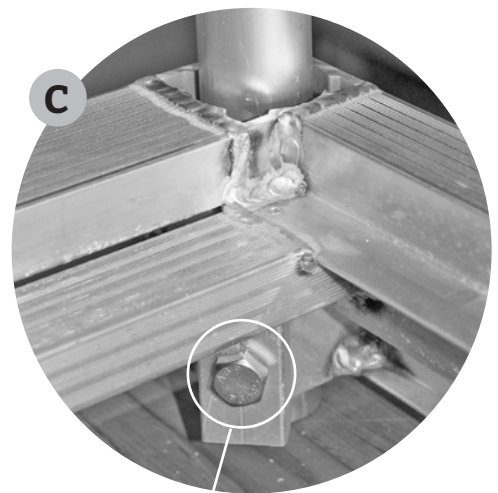
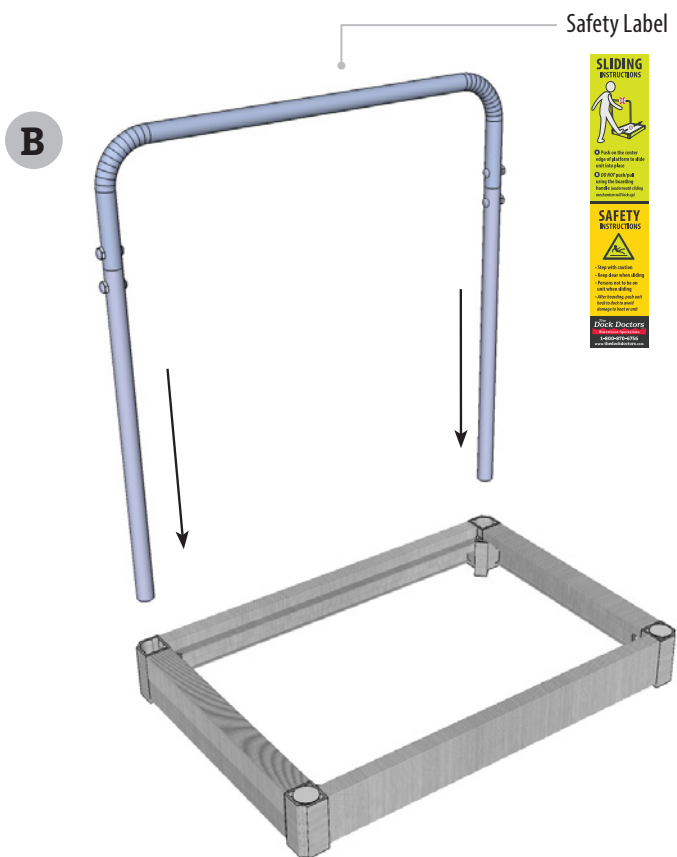
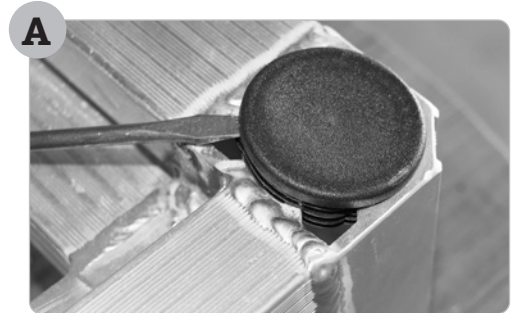
Sliding Boarding Step assembly instructions

STEP 3: Attach handle to frame:

1. Decide which side of the platform you want your handrail.
If you need to move the safety caps, they can easily be removed using a flat head screwdriver (see Figure A).
2. Insert the handrail into the sleeves in the boarding step frame (Figure B).
3. To secure the handle to the frame, tighten the tension bolt on the side of the sleeve (see Figure C).
4. Insert the (2) safety caps into the handrail sleeves on the opposite side of the frame.

Step 3

Parts Needed	Quantity
Boarding Step Frame	1
Handrail	1
Safety Caps	2



tighten tension bolts on the side of the handrail sleeve

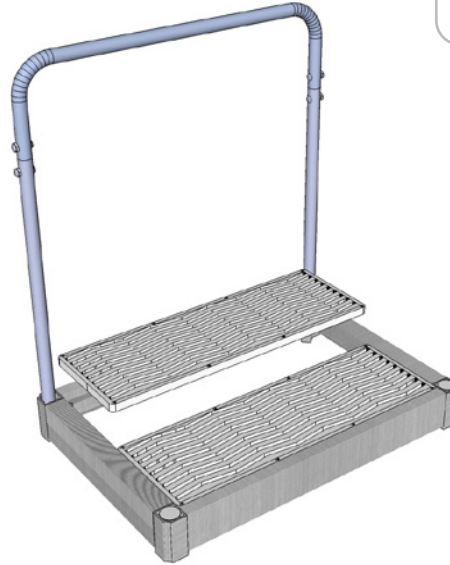
STEP 6: Attach decking to boarding platform frame:

1. Place the decking panels back into the boarding platform frame, then secure with decking screws.



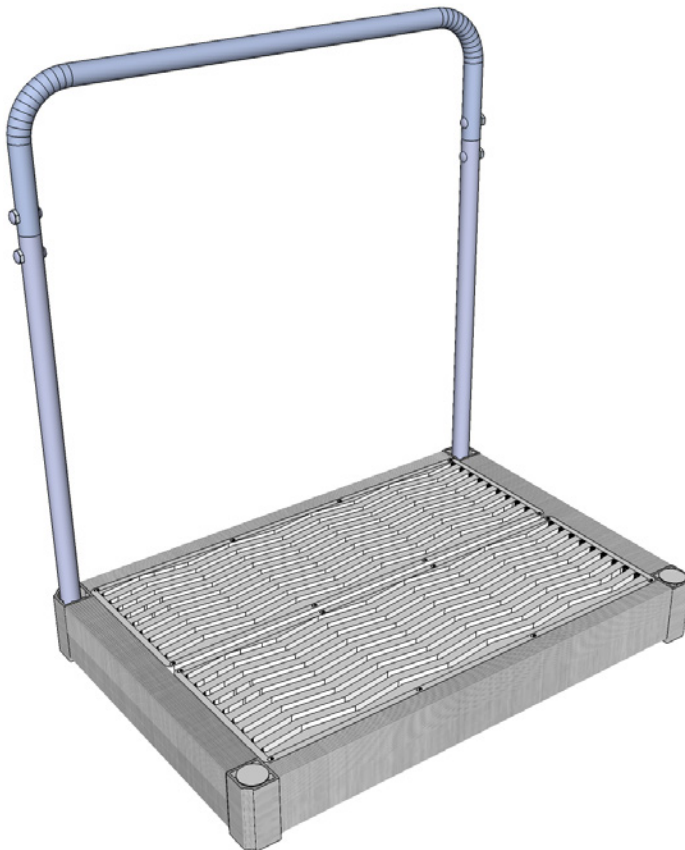
CAUTION:

Once self-tapper pushes through aluminum, let up on pressure and slowly seat screw to plastic.



Step 6

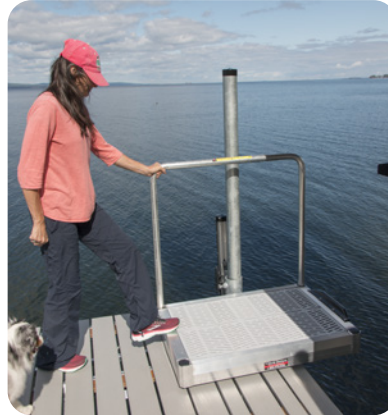
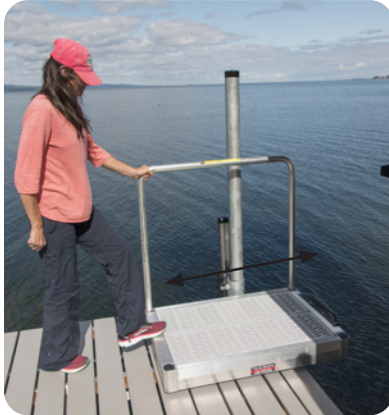
Parts Needed	Quantity
Decking Panel	2
Decking Screws	16



Sliding Boarding Step assembly instructions

OPERATION TIPS:

1. To slide the unit into place, push on the center edge of the platform to slide the unit into place. Do not push/pull using the boarding handle (the underneath sliding mechanism will lock up).
2. To avoid damage to unit or boat, push unit back to dock after boarding.



To slide the boarding step, push on the center edge of platform, do NOT push/pull with handle.

SAFETY TIPS:

- Step with caution
- Keep clear when sliding
- Persons not to be on unit when sliding



1 Slide unit into place



2 Step safely across onto boat



Ideal for pets too!