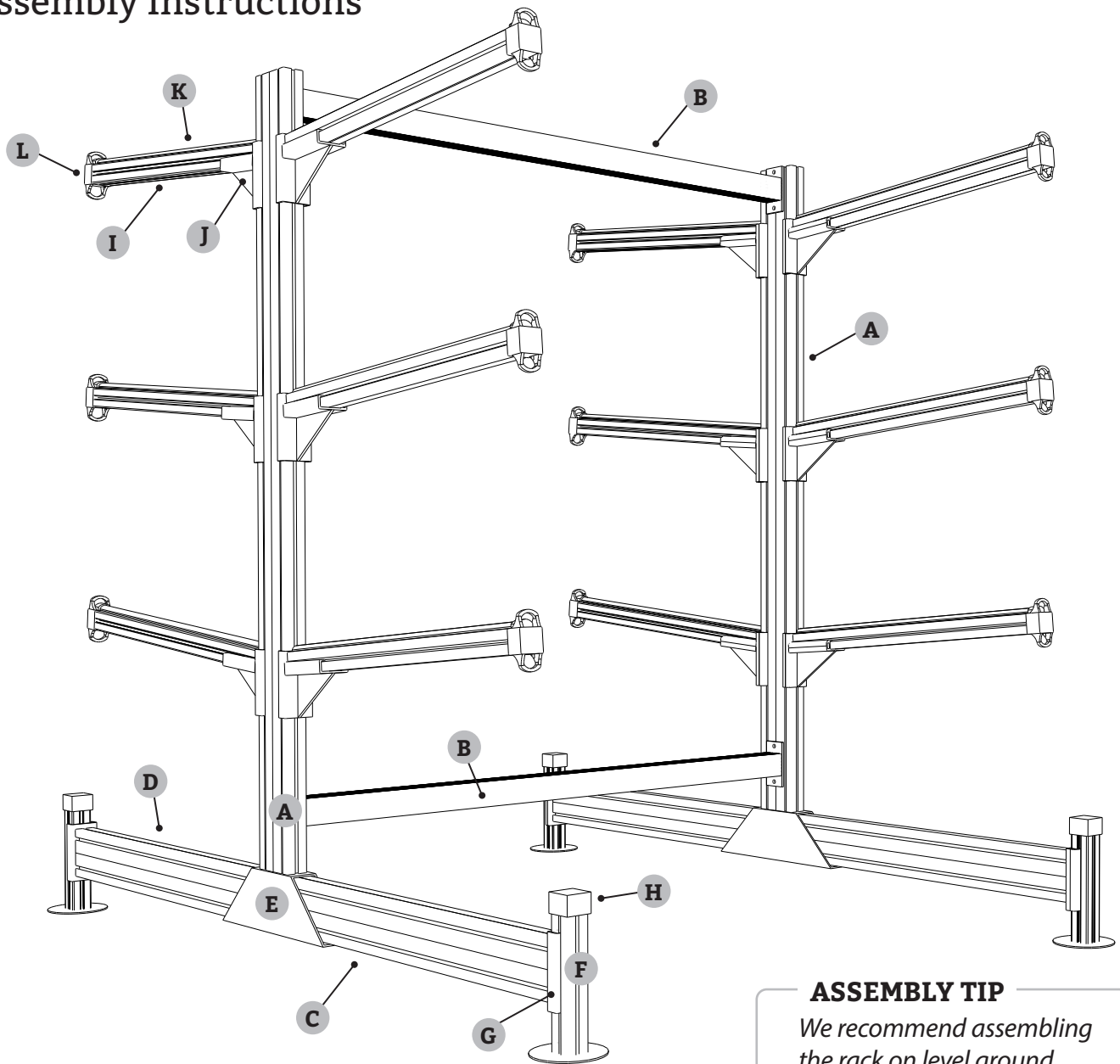


# Commercial Storage Rack *freestanding*

## Assembly Instructions



### ASSEMBLY TIP

We recommend assembling the rack on level ground.

PART NAME	QTY	PART NAME	QTY
A. UPRIGHT BAR (72") .....	2	G. FOOT BRACKET.....	4
B. CROSS BAR (60").....	2	H. SAFETY CAP (FOOT).....	4
C. BASE BAR (84") .....	2	I. ARM.....	12
D. BASE BAR HULL GUARD (38").....	4	J. ARM BRACKET.....	12
E. UPRIGHT BRACKET.....	2	K. ARM HULL GUARD (34") .....	12
F. FOOT.....	4	L. ARM END CAP .....	12

LAUNCHES • TRAILERS • RACKS



© 2020 The Dock Doctors-V5-0820

Toll Free: 1-800-870-6756 | info@thedockdoctors.com | www.thedockdoctors.com

# Commercial Storage Rack *freestanding*

## Assembly Instructions

### BOX 1

PART NAME	QTY
A. UPRIGHT BAR (72") .....	2
B. CROSS BAR (60") .....	2

### BOX 2 & 3

PART NAME	QTY
C. BASE BAR (84") .....	2
D. BASE BAR HULL GUARD (38") .....	4
E. UPRIGHT BRACKET .....	2
F. FOOT .....	4
G. FOOT BRACKET .....	4
H. SAFETY CAP (FOOT) .....	4
I. ARM .....	12
J. ARM BRACKET .....	12
K. ARM HULL GUARD (34") .....	12
L. ARM END CAP .....	12

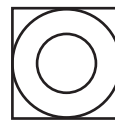
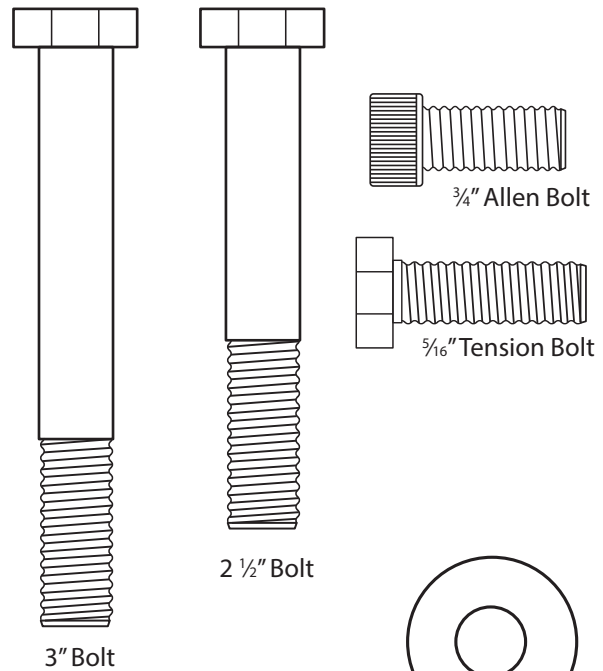
(NOTE: if you ordered additional arms for a custom configuration they will be included in Box #2).

### HARDWARE (included in Box 1)

PART NAME	QTY
ALLEN BOLT ( $\frac{5}{16}$ " $\times$ $\frac{3}{4}$ ") .....	56
BRASS NUT ( $\frac{5}{16}$ ") .....	68
EYE BOLT ( $\frac{5}{16}$ ") .....	12
TENSION BOLT ( $\frac{5}{16}$ " $\times$ 1") .....	8
HEX BOLT ( $\frac{3}{8}$ " $\times$ 2 $\frac{1}{2}$ ") .....	4
HEX BOLT ( $\frac{3}{8}$ " $\times$ 3") .....	10
FLAT WASHER ( $\frac{3}{8}$ ") .....	28
LOCKING NUT ( $\frac{3}{8}$ ") .....	14
ALLEN WRENCH .....	1

#### ADDITIONAL ARMS

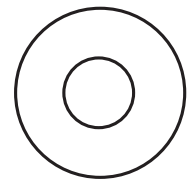
If you ordered additional arms for a custom configuration, each arm will have (1) eye bolt, (3) allen bolts & (4) brass nuts.



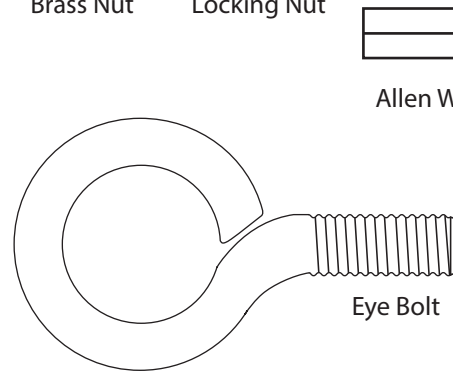
Brass Nut



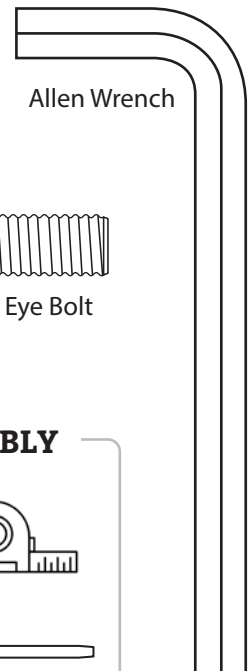
Locking Nut



$\frac{3}{8}$ " Flat Washer



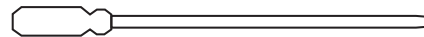
Eye Bolt



Allen Wrench

### OPTIONAL ITEMS FOR ASSEMBLY

- Measuring Tape
- Screwdriver with long stem (Phillips or flat head)



## Pre-assembly of hardware onto components

*For the most efficient assembly, we recommend assembling the hardware onto some of the components prior to assembling the rack.*

### Step 1

Parts Needed	Quantity
Upright Brackets	2
5/16" Tension Bolts	8

### Step 1: Pre-assemble hardware onto the UPRIGHT BRACKETS

Locate the (2) UPRIGHT BRACKETS in Box 1.

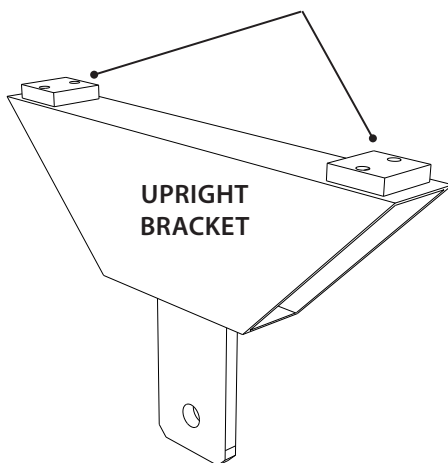
Install (4) tension bolts (5/16") on the underside of each upright bracket.

*Loosely install the tension bolts (do not tighten them), you will tighten them in Step 6.*

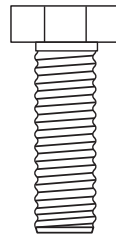
### ASSEMBLY TIP

*We recommend assembling the rack on level ground.*

*install (4) 5/16" tension bolts onto each upright bracket*



5/16" tension bolt



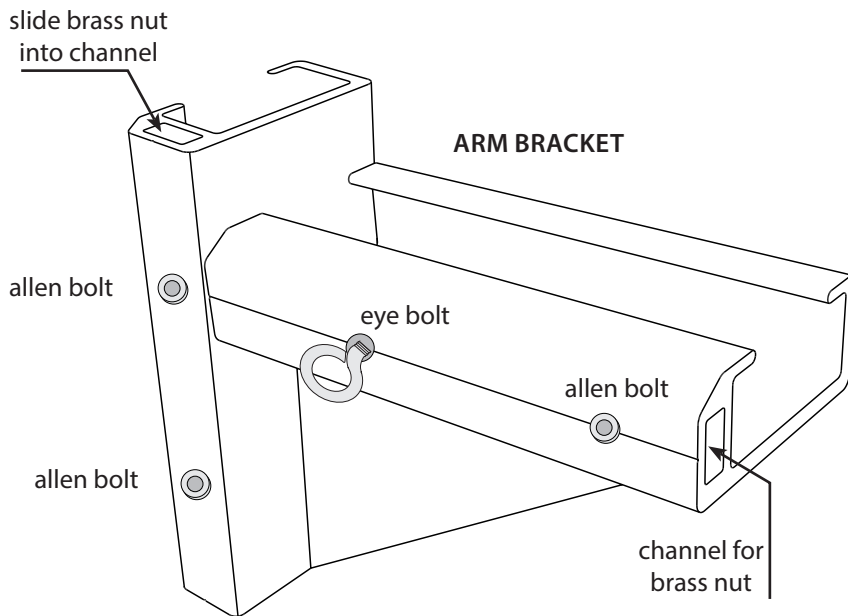
## Commercial Storage Rack *assembly instructions*

### Step 2: Pre-assemble hardware onto ARM BRACKETS:

Install (3) 3/4" allen bolts, (1) eye bolt, and (4) brass nuts onto each of the (12) arm brackets. Note: You will have left and right sided arm brackets. See figure A for the position of the eye bolt and allen bolts.

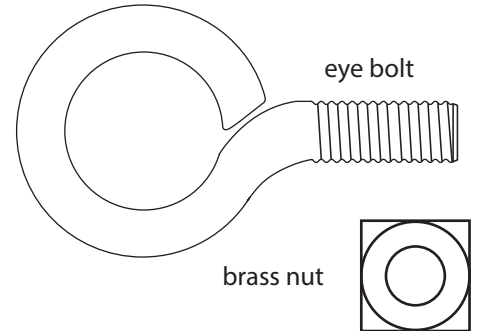
*To install the allen and eye bolts, hold the arm bracket horizontally or place it on a flat surface. Use the included allen wrench (or a long stemmed screwdriver) to slide the brass nut into the channel so it lines up with the hole. Loosely thread the allen bolt or eye bolt through the hole and into the brass nut.*

Do not tighten the allen bolts & eye bolts onto the arm brackets (loosely install them). Thread them enough so they will stay in place, but do not tighten.



### Step 2

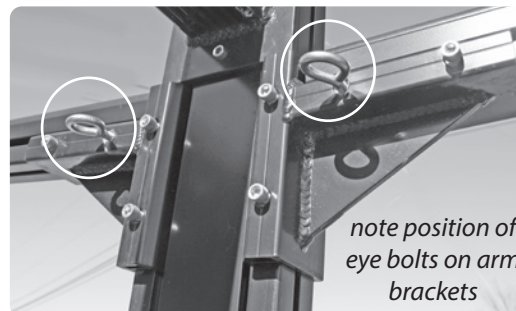
Parts Needed	Quantity
Arm Brackets	12
Eye Bolts	12
3/4" Allen Bolts	36
Brass Nuts	48



*install (1) eye bolt, (3) allen bolts & (4) brass nuts onto each arm bracket*



**NOTE:** You will have left and right sided arm brackets. When installed on the rack, the eye bolts will be towards the inside of the rack.

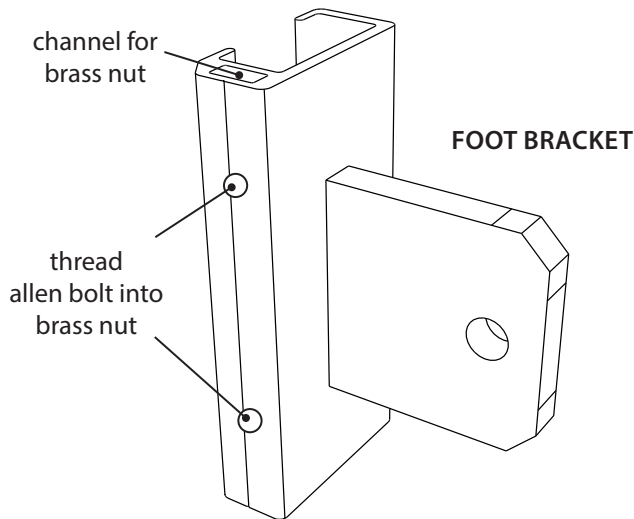


*note position of eye bolts on arm brackets*

**Step 3: Pre-assemble hardware onto FOOT BRACKETS:**

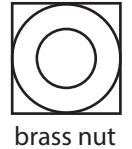
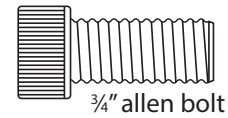
Loosely install (2) 3/4" allen bolts, and (2) brass nuts into each of the (4) foot brackets.

Thread the allen bolt onto the brass nut. Repeat with the other allen bolt and brass nut. Loosely install the allen bolts onto the foot brackets (do not tighten them).



**Step 3**

Parts Needed	Quantity
Foot Brackets	4
3/4" Allen Bolts	8
Brass Nuts	8

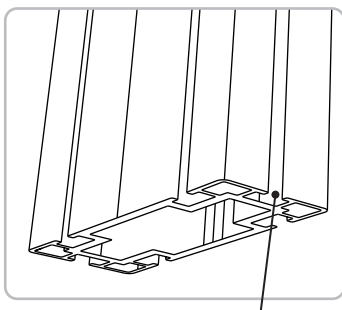
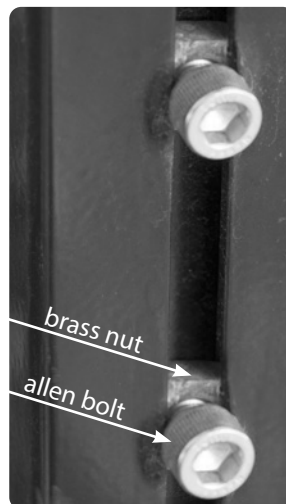
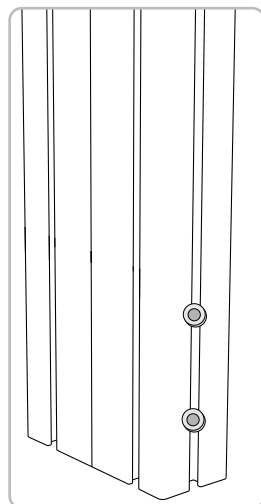


**ASSEMBLY TIP**

*To install the allen and eye bolts, place the foot bracket on a flat surface. Use the included allen wrench (or a long stemmed screwdriver) to slide the brass nut into the channel and in place. Loosely thread the allen bolt or eye bolt onto the brass nut.*

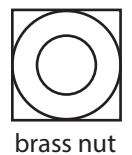
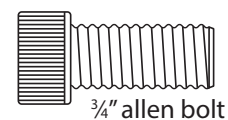
**Step 4: Pre-assemble hardware onto UPRIGHT BARS:**

Take (2) brass nuts and slide them into the channel on the side of the upright bar. Align the brass nuts with the pre-drilled holes. Loosely install (2) 3/4" allen bolts into the brass nuts (do not tighten them).



**Step 4**

Parts Needed	Quantity
Upright Bars	2
3/4" Allen Bolts	4
Brass Nuts	4



install (2) allen bolts and (2) brass nuts onto each upright bar

**Step 5**

Parts Needed	Quantity
Base Bars	2
Upright Bracket <i>with tension bolts attached</i>	2
3" Bolts	2
3/8" Flat Washers	4
3/8" Locking Nuts	2

**Step 5: Assemble Base Bars:**

**A.** Slide (1) upright bracket onto (1) base bar. Center the upright bracket in the middle of the base bar (see Figure A), lining up the hole on the upright bracket with the center hole on the base bar.

**NOTE**

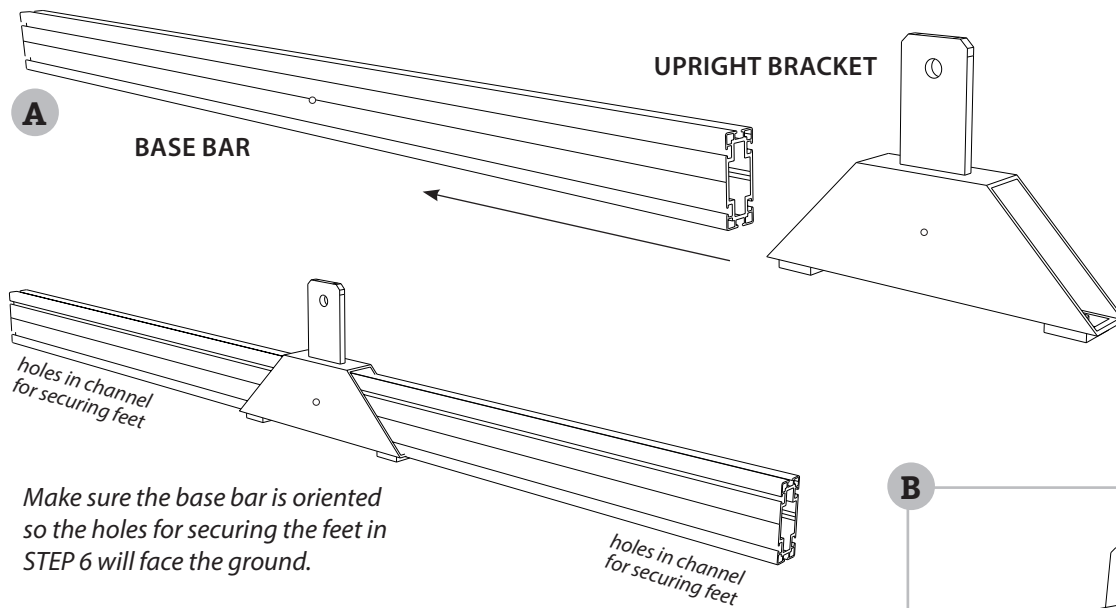
*The base bars will have four holes in the channel (two on each side). These are used in STEP 6 to secure the feet to the base bars. Be sure to slide the UPRIGHT BRACKET onto the BASE BAR so that the holes will be on the **underside** of the base bar.*

Place (1) flat washer onto a 3" bolt, then insert the bolt through the upright bracket, the base bar and out the other side. Thread (1) flat washer and (1) lock nut onto the end of the 3" bolt. Hand tighten the nut onto the bolt.

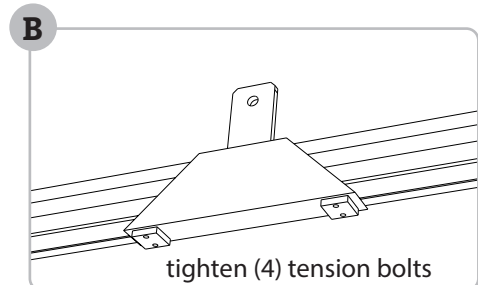
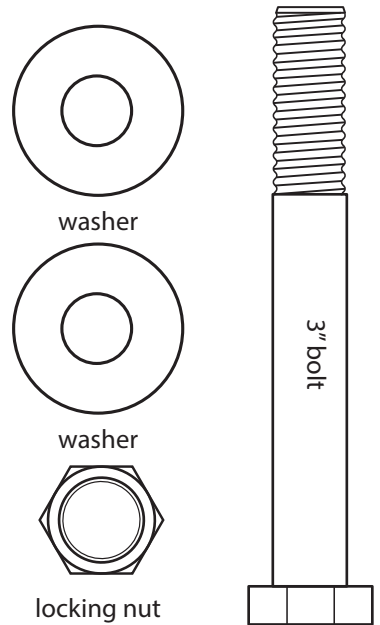
**B.** Using an allen wrench, tighten the tension bolts on the underneath of the upright bracket (see Figure B).

Repeat steps above for the other base bar and upright bracket.

*Continued on next page...*



*Make sure the base bar is oriented so the holes for securing the feet in STEP 6 will face the ground.*



# Commercial Storage Rack *assembly instructions*

## Step 5

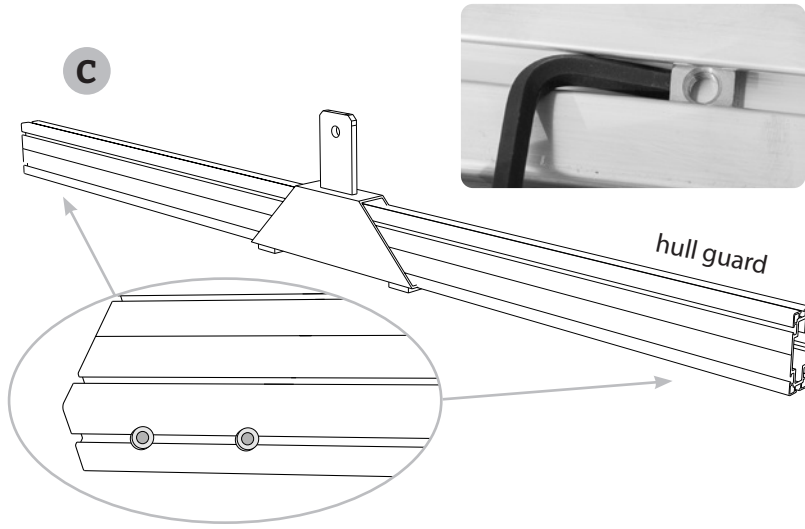
Parts Needed	Quantity
$\frac{3}{4}$ " Allen Bolts	8
Brass Nuts	8
Hull Guards (38") for base bar	4

### Step 5: Assemble Base Bars - Continued:

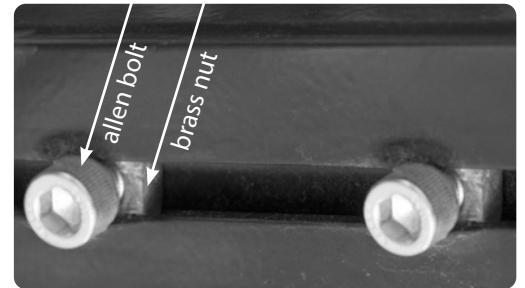
C. Take (4) brass nuts and slide them into the channel on the **UNDERSIDE** of the base bar. Align the brass nuts with the pre-drilled holes. Loosely install (4)  $\frac{3}{4}$ " allen bolts into the brass nuts. *Do not tighten the allen bolts - you will tighten them after installing the feet in Step 6.*

D. Slide (2) hull guards onto the top of each base bar (see Figure E).

Repeat steps above for the other base bar and upright bracket.



install (4) allen bolts and (4) brass nuts onto the underside of each base bar





**Step 6**

Parts Needed	Quantity
Foot Brackets <i>with allen bolt &amp; brass nuts</i>	4
Feet	4
Safety Caps for feet	4
2 1/2" bolt	4
3/8" flat washer	8
3/8" locking nut	4

**Step 6: Attach Feet to Base Bars:**

**A.** Slide (1) foot bracket onto (1) foot. Hand-tighten both 3/4" allen bolts on the side of the foot bracket (*that you installed in Step 3 - see Figure A*). Repeat for the other (3) feet and (3) foot brackets.

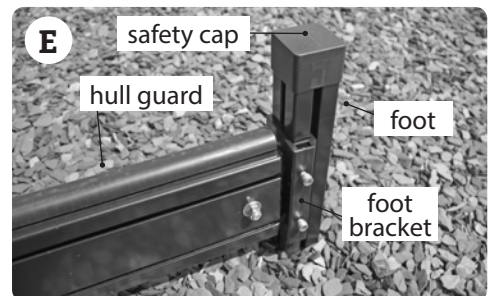
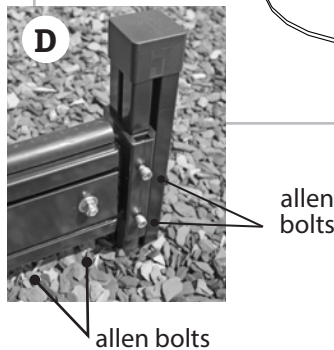
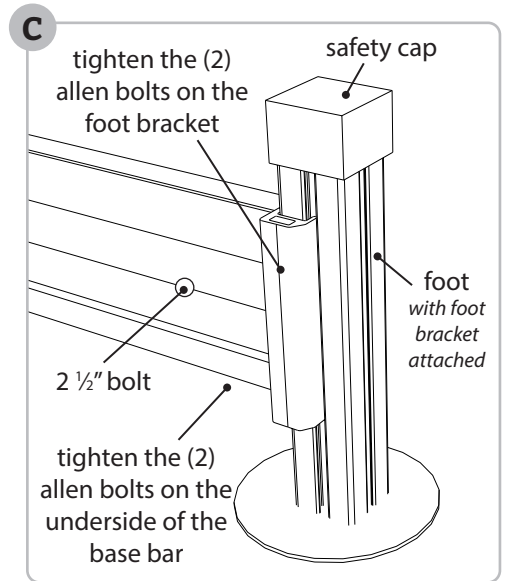
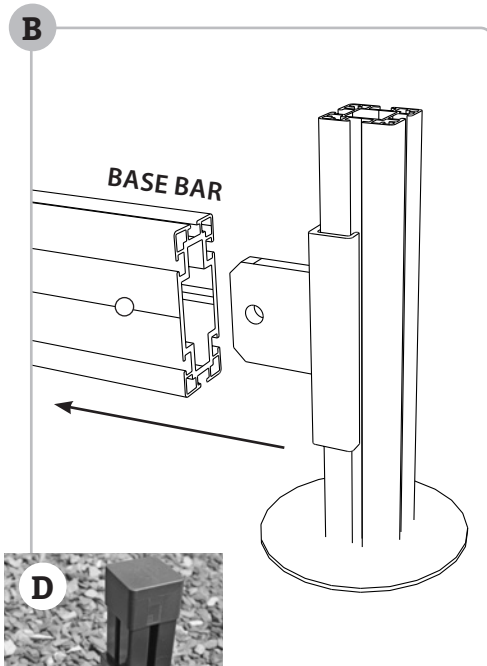
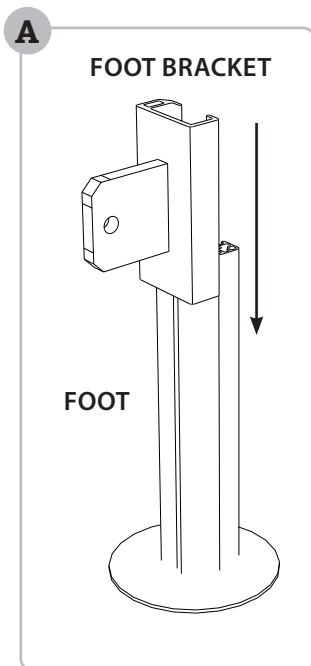
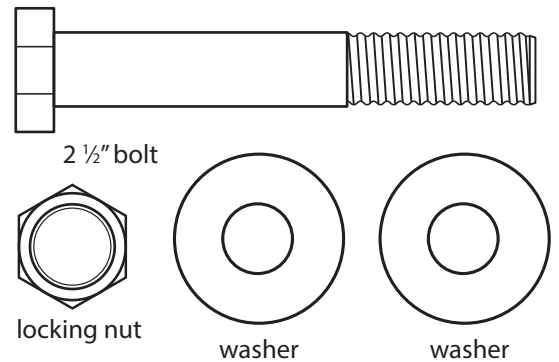
**B.** Slide (1) foot / foot bracket assembly into one end of either base bar (*see Figure B*).

**C.** Place (1) flat washer onto a 2 1/2" bolt, then insert the bolt through the base bar, the foot bracket and out the other side. Thread (1) flat washer and (1) lock nut onto the end of the 2 1/2" bolt. Hand tighten the locking nut on the bolt (*see Figure C*).

**D.** Tighten the (2) 3/4" allen bolts on the foot bracket (installed in Step 3) and the (2) 3/4" allen bolts on the underside of the BASE BAR (installed in Step 5C) to secure the foot brackets to the base bar.

**E.** Place (1) safety cap onto the top of each the foot.

Repeat with the remaining foot / foot bracket assemblies and the other base bar.





# Commercial Storage Rack *assembly instructions*

## Step 7: Install Upright Bars onto Base Bar:

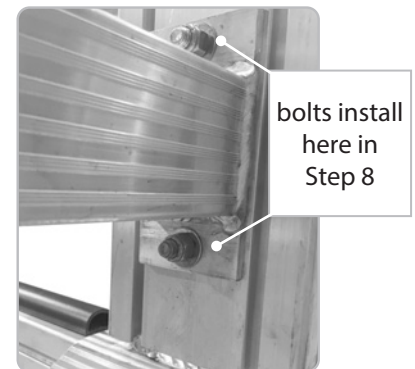
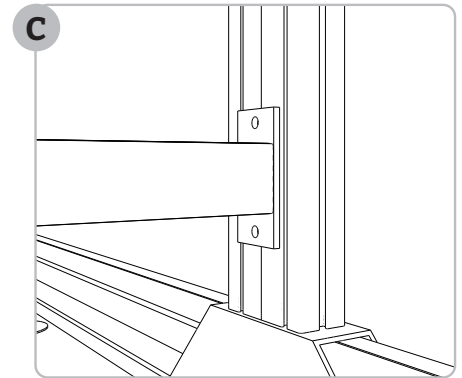
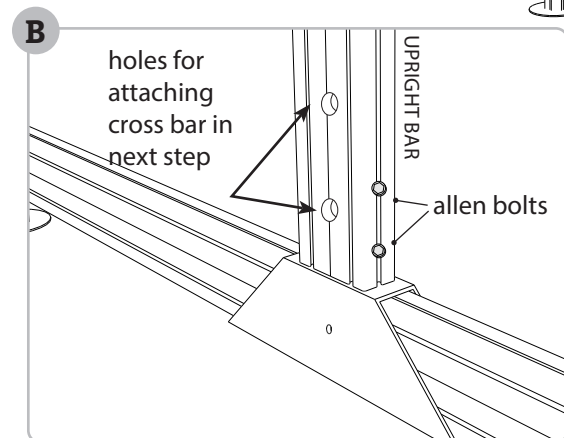
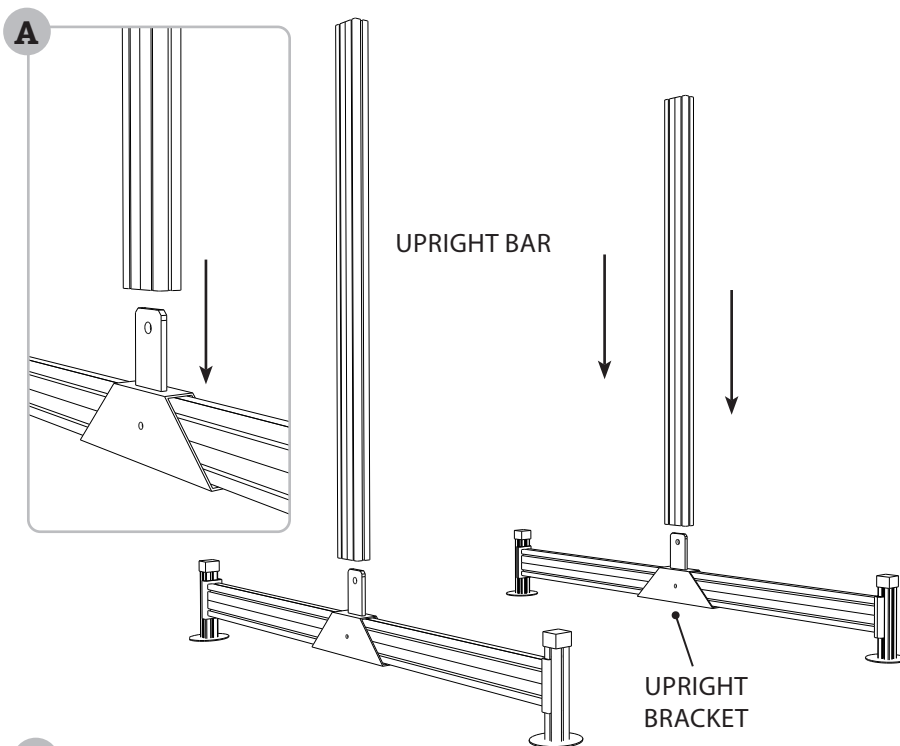
Take one upright bar and slide it onto the upright bracket of each base bar / upright bracket assembly (see Figure A).

Hand tighten the (2) allen bolts (*that you installed in Step 4*) on the side of the upright bar (see Figure B).

Note that there are (2) holes in the upright bar (top and bottom, see Figure C). You will install 3" bolts in the next step to secure the upright bar to the upright bracket.

### Step 7

Parts Needed	Quantity
Upright Bar Assembly	2
Base Bar Assembly <i>with upright brackets and feet attached</i>	2



# Commercial Storage Rack *assembly instructions*

## Step 8A: Attach Cross Bars to Upright Bars:

### Bottom Cross Bar (attach first):

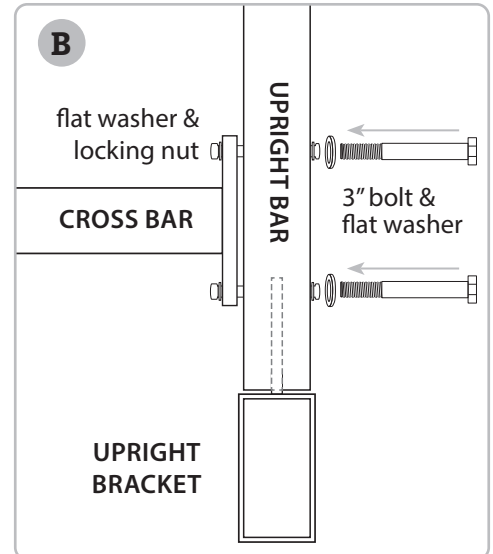
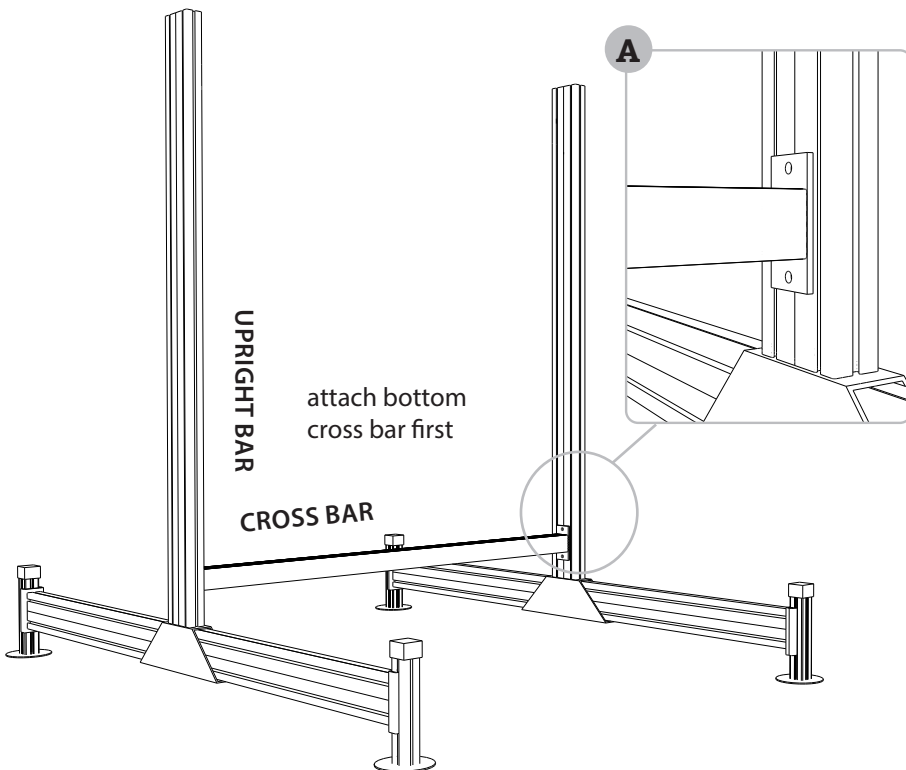
Take one of the cross bars and line up the (2) holes in the cross bar with the (2) holes toward the bottom of the upright bar (see Figure A).

Place (1) flat washer onto a 3" bolt, then insert the bolt through the holes on the crossbar and out the other side. *NOTE: Thread the bolt through the hole from the outside of the rack so the end of the bolt will be on the inside (see Figure B).* Then thread (1) flat washer and (1) locking nut onto the end of the bolt. Hand tighten the locking nut on the bolt (see Figure C).

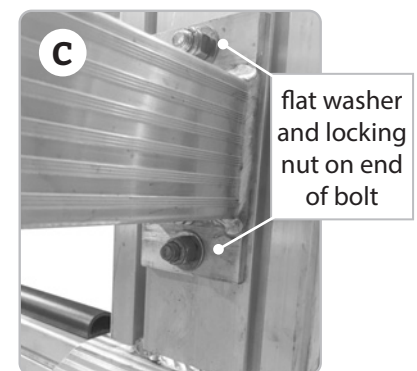
Repeat for the **TOP** holes on the crossbar.

### Step 8A

Parts Needed	Quantity
Cross Bar	1
3" Bolts	4
3/8" Flat Washers	8
3/8" Locking Nuts	4



Insert bolt (with washer) through the outside of the upright bar then through the hole in the cross bar. Thread washer and locking nut onto end of bolt, then hand tighten.



the end of the bolts with locking nut should be on the inside of the rack

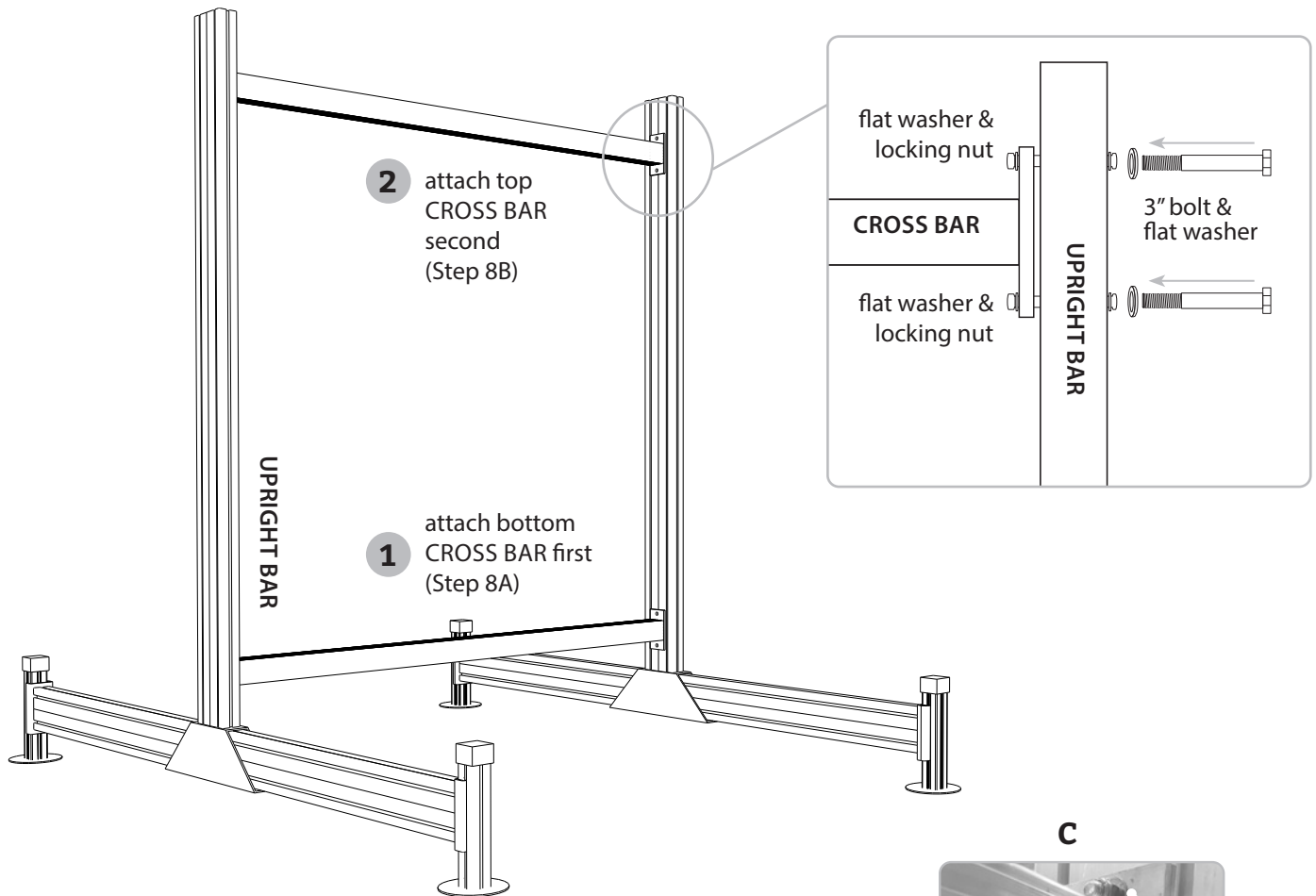
**Step 8B**

Parts Needed	Quantity
Cross Bar	1
3" Bolts	4
3/8" Flat Washers	8
3/8" Locking Nuts	4

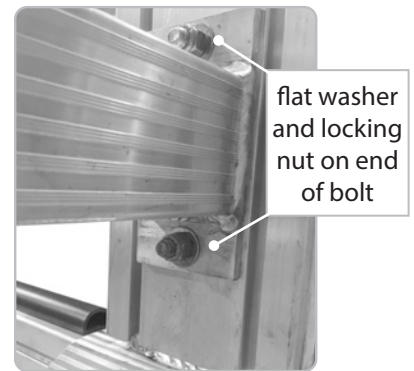
**Step 8B: Attach Cross Bars to Upright Bars:**

**Top Cross Bar (attach second):**

Repeat Step 8A with the other cross bar, attaching it towards the top of the upright bar. Once both cross bars are attached, tighten the bolts and nuts to secure the cross bars to the upright bars.



**C**



the end of the bolts with locking nut should be on the inside of the rack

**Step 9**

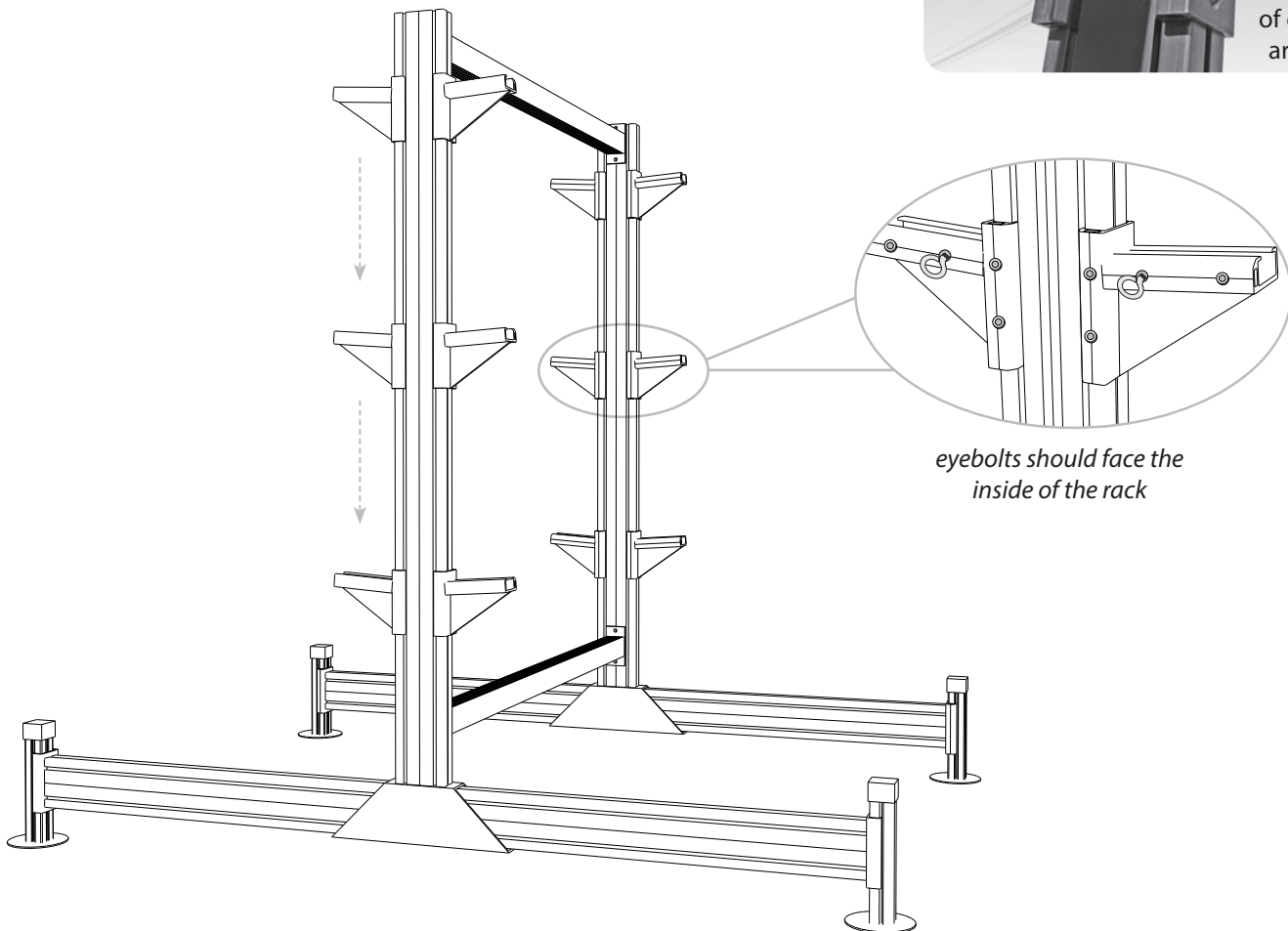
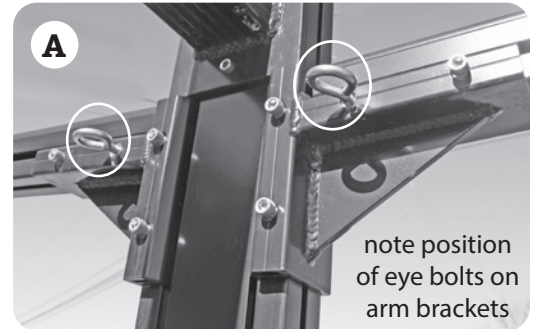
Parts Needed	Quantity
Upright Bars	2
Lower Cross Bars <i>with allen bolts, washer and brass nuts attached</i>	1

**Step 9: Install Arm Brackets:**

Slide (3) arm brackets onto each side of both upright bars. You will install (6) arm brackets on each upright bar.

Make note of where the eyebolts are located, installing the arm brackets in pairs so the eyebolts face the inside of the rack (see Figure A).

*TIP: Allow all the arm brackets to slide to the bottom and rest in that position. You will adjust their position in Step 10.*



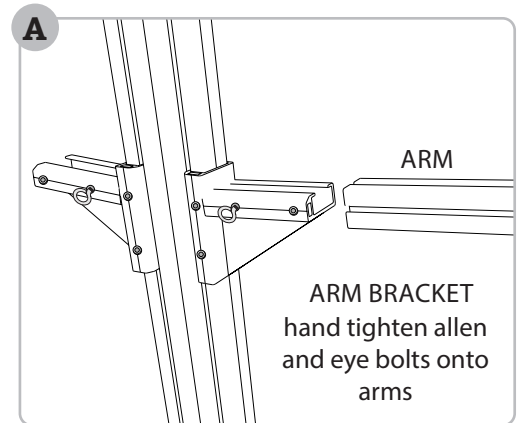
### Step 10: Position Arm Brackets & Attach Arms:

Slide each arm / arm bracket into position based on the configuration you want. For the standard configuration, space the brackets (approximately) as follows:

Bracket 1: 32" inches from the ground

Bracket 2: 54" inches from the ground

Bracket 3: 74" inches from the ground



Measure the arm bracket spacing on each upright bar to assure they are spaced the same on each side. Hand-tighten the allen bolts on the arm brackets (see Figure A).

Install arms into the arm brackets on each upright bar. Hand-tighten allen bolts and eye bolts on the arm bracket.

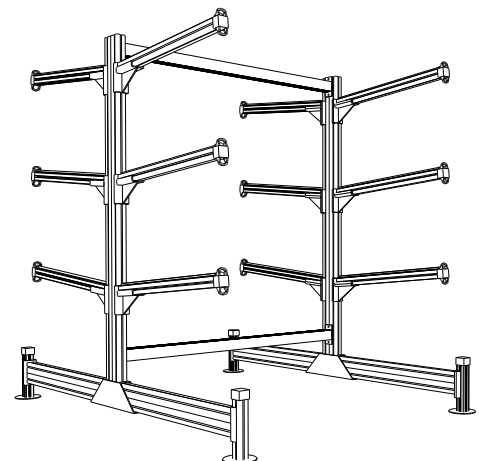
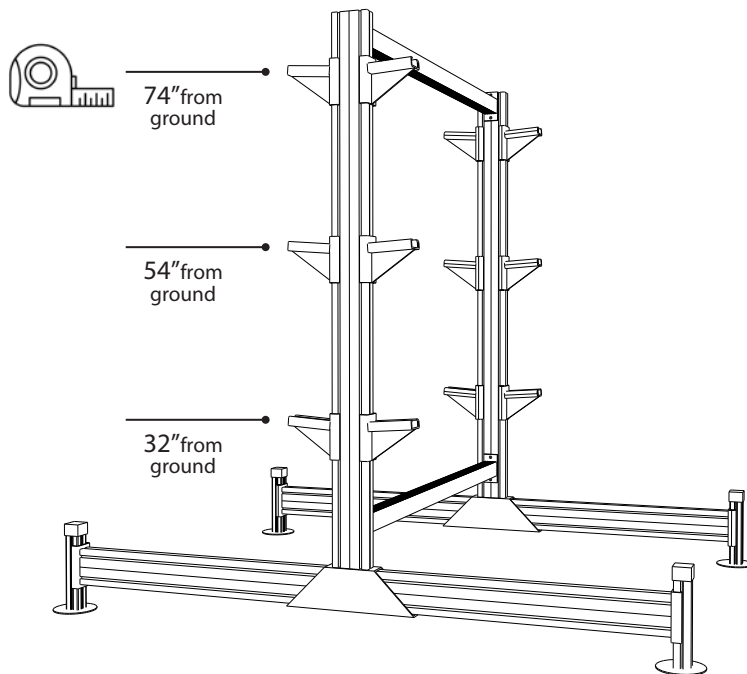
Slide (1) hull guard onto each arm. Place (1) arm cap onto the end of each arm.



slide hull guards onto arms



place arm end caps onto arms



### STEP 11: Tighten All Bolts

Once you have all the components assembled and the arms spaced for your configuration, tighten all allen bolts, eye bolts and bolts with the provided allen wrench to complete the assembly and secure your rack.