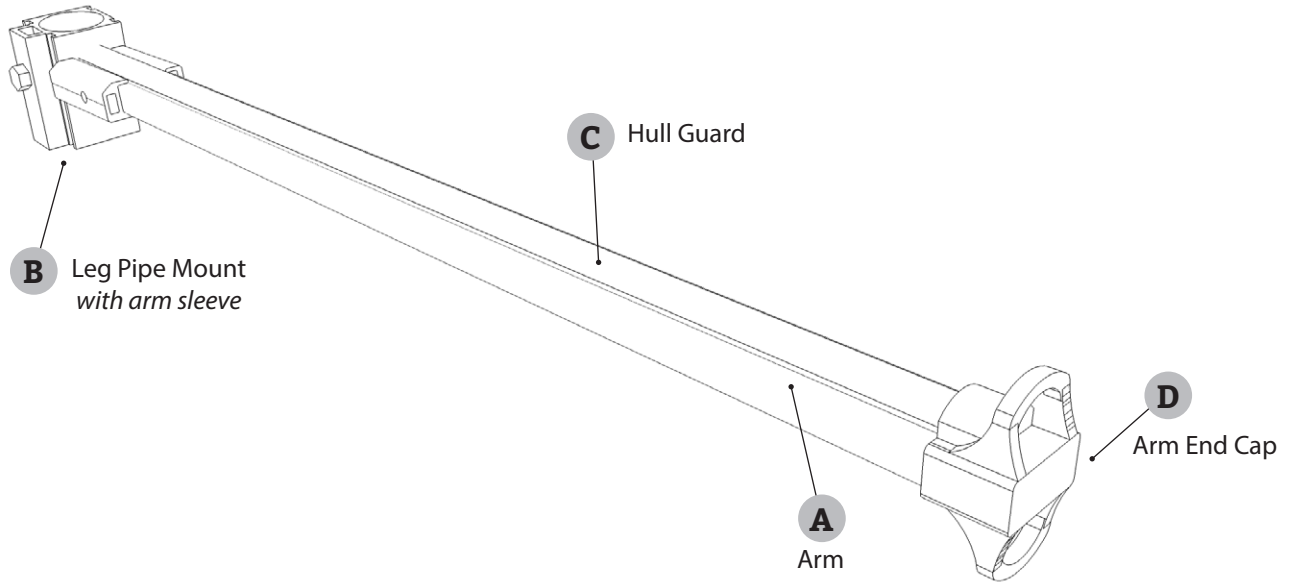


Single-Craft Storage Arms Assembly Instructions

Universal fit for docks with 1 1/2" pipe.



BOX 1

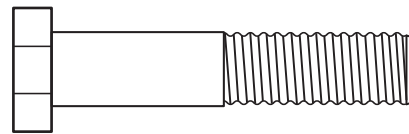
PART NAME	QTY
A. ARM (35").....	2
B. LEG PIPE MOUNT with arm sleeve	2
C. VINYL HULL GUARD (34")	2
D. ARM END CAP.....	2

*Items are not to scale.

HARDWARE (included in Box 1)

PART NAME	QTY
HEX BOLT (1/2" X 1 1/4").....	2
BRASS NUT (1/2")	2
EYE BOLT (5/16").....	2
BRASS NUT (5/16")	2

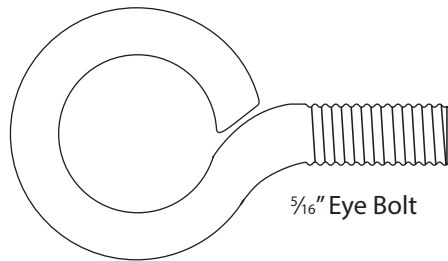
You will also need a 3/4" **wrench** to tighten the pipe mount to the leg pipe on your dock.



1 1/4" x 1/2" Hex Bolt



1/2" Brass Nut
(the larger nut)



5/16" Eye Bolt



5/16" Brass Nut
(the smaller nut)

Single-Craft Storage Arms: Assembly Instructions

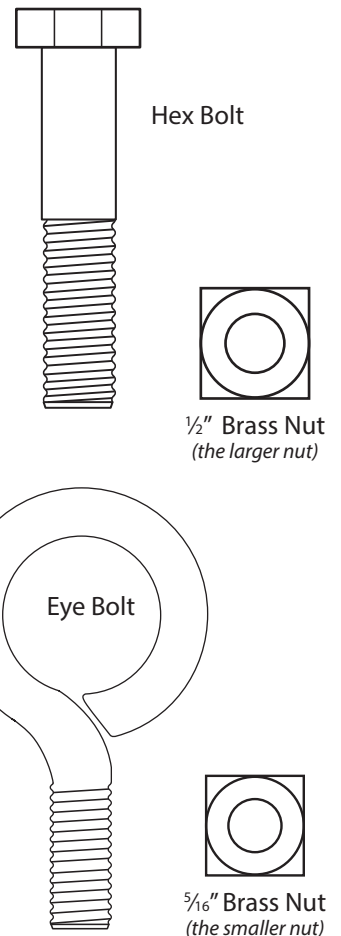
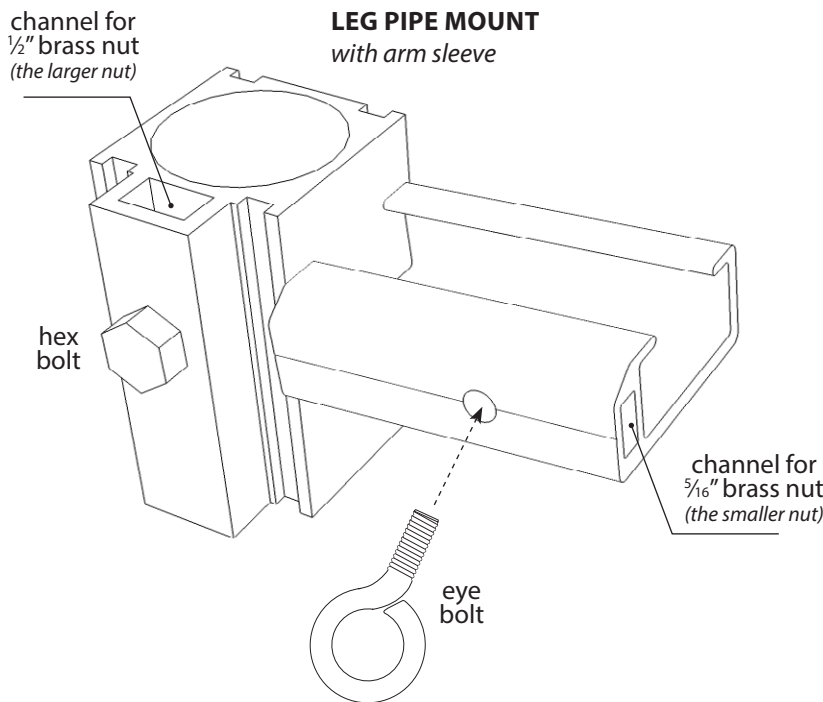
Step 1

Parts Needed	Quantity
Leg Pipe Mounts	2
Eye Bolts	2
Hex Bolts	2
Brass Nuts	4

Step 1: Assemble hardware onto LEG PIPE MOUNTS:



Install (1) hex bolt, (1) eye bolt and (2) brass nuts onto each of the (2) leg pipe mounts. Loosely install the hex bolts and eye bolts (*do not tighten them, you will tighten them later*).



ASSEMBLY TIP

To install the hex bolts and eye bolts, hold the arm bracket horizontally or place it on a flat surface. Use an allen wrench (or something that will fit into the channel) to slide the brass nut into the channel and in place. Loosely thread the bolt or eye bolt onto the brass nut.

Single-Craft Storage Arms: Assembly Instructions

Step 2

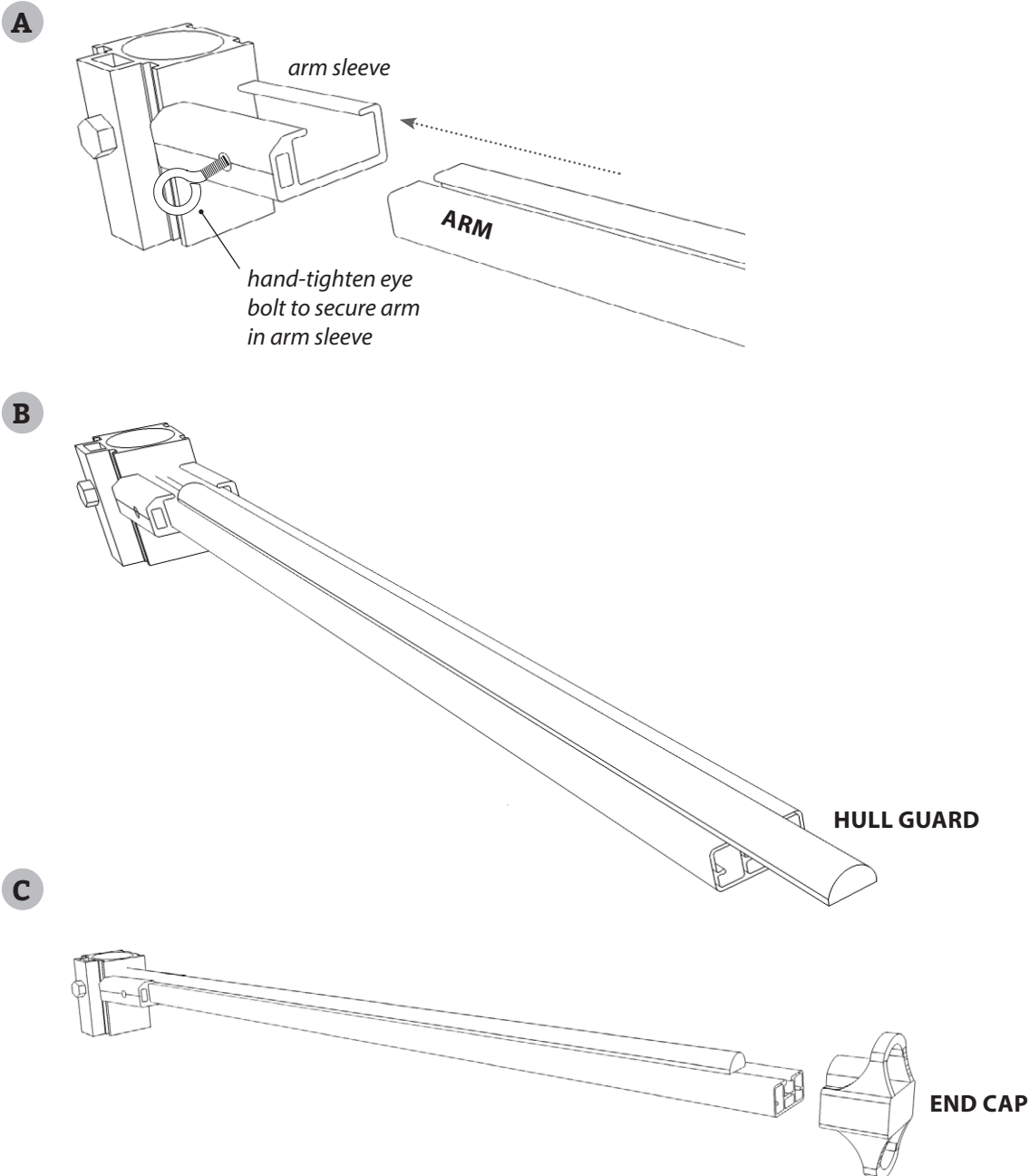
Parts Needed	Quantity
Leg Pipe Mounts <i>from Step 1</i>	2
Arms	2
Hull Guards	2
Arm End Caps	2

STEP 2: Install Arms into Arm Sleeves

A.) Slide (1) arm into the arm sleeve of each of the leg pipe mounts. Hand-tighten the eye bolt to secure the arm in the sleeve.

B.) Slide (1) vinyl hull guard onto each arm.

C.) Install (1) end cap onto the end of each arm.



Single-Craft Storage Arms: *Assembly Instructions*

STEP 3: Install on Leg Pipe

Slide the leg pipe mount with arm attached onto your 1 ½" leg pipe. Once in the desired position, tighten the hex bolt with a ¾" wrench. Repeat with the other storage arm.

Measure distance from top of leg mount bracket to your decking so the arms are at the same elevation.

