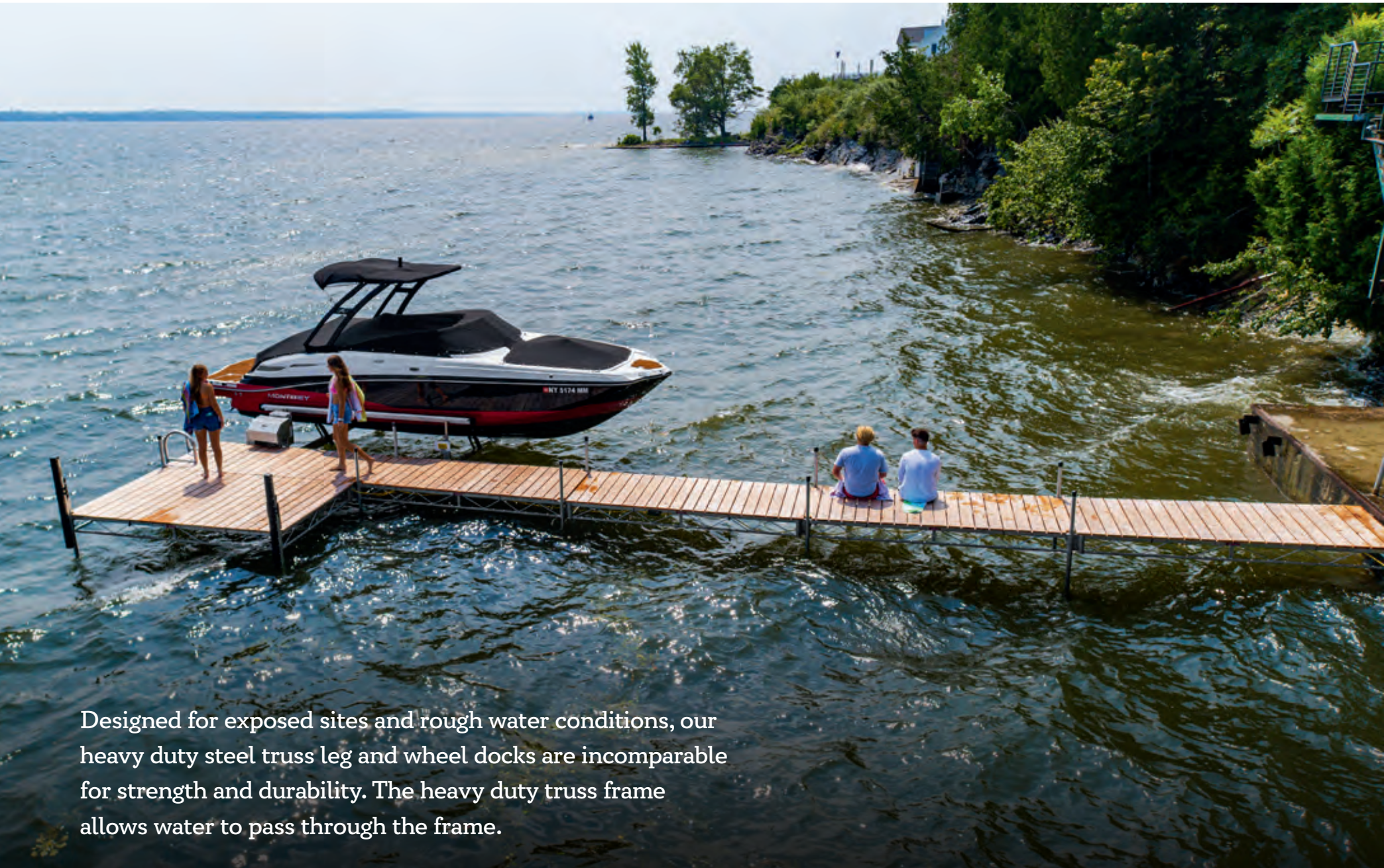


## Leg & Wheel Docks : Heavy Duty Steel Truss



Designed for exposed sites and rough water conditions, our heavy duty steel truss leg and wheel docks are incomparable for strength and durability. The heavy duty truss frame allows water to pass through the frame.

*Above: Heavy Duty Steel Truss Leg Docks with cedar decking in an "L" shaped configuration and 6,000 lb. capacity Vertical Boat Lift.*





*6' wide sections with WearDeck decking in Barefoot Gray, 6,000 lb. vertical boat lift with Sunbrella Canopy .*

## Heavy Duty Steel Truss Leg & Wheel Docks

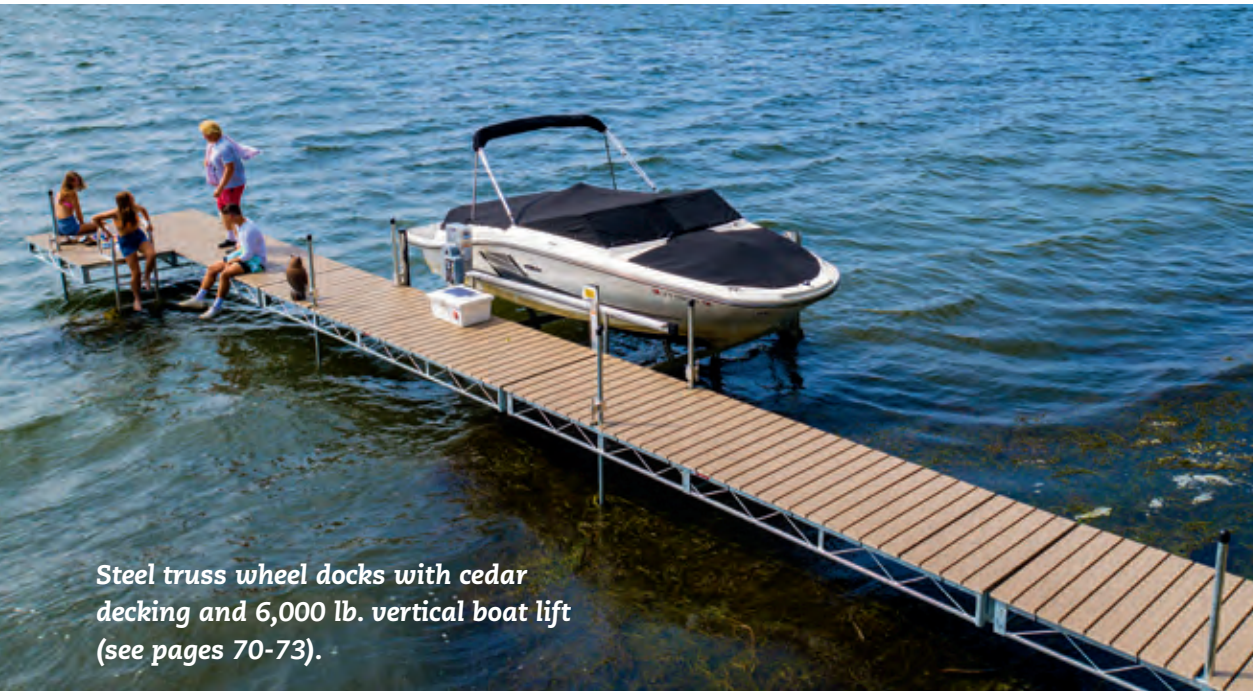
- Designed for exposed sites
- Heavy duty 9" galvanized steel truss frame with adjustable leg stanchions built into frame
- Removable decking in Cedar or WearDeck
- Ipe hardwood decking option also available
- 10 year limited warranty



*Designed for exposed sites*



# Leg & Wheel Docks : Heavy Duty Steel Truss



Steel truss wheel docks with cedar decking and 6,000 lb. vertical boat lift (see pages 70-73).



Steel truss leg docks in 6 foot width with WearDeck decking in Barefoot Sand.



Steel truss leg docks for a site with little shoreline and restrictions on distance into the water. Shown with our aluminum stairs (see pages 19-21).



4' x 16' wheel dock with "I"

Steel truss wheel docks with WearDeck decking in Barefoot Gray.





6' wide sections for more deck space.



Steel truss leg docks with Weatherwood WearDeck decking. Shown with lower access platform (page 14), 5' aluminum ladder (page 18) and vertical fenders (page 10).



3' x 3' triangle corner creates more deck space.



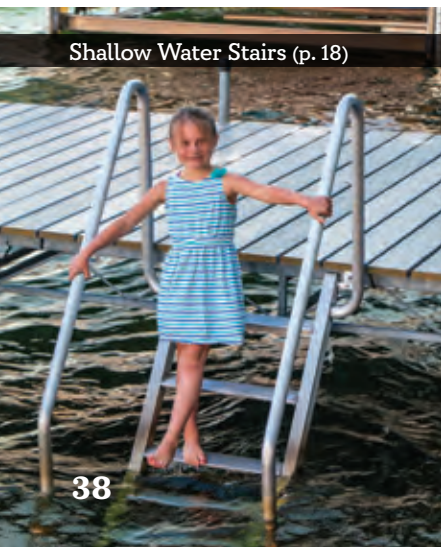


# Leg & Wheel Docks : Heavy Duty Steel Truss



Steel truss leg docks in a "U" shape to create a boat slip. Custom aluminum canopy mounts and Sunbrella canopy.

Wells, VT



Shallow Water Stairs (p. 18)



Aluminum Stairs (pp. 19-21)



Lower Access Platform & Aluminum Ladder (p. 14)



Vertical Fenders (pp. 10-11) & Solar Post Lites (p. 16)





4' x 10' Leg Dock  
with removable deck panels



4' x 16' Wheel Dock  
with removable deck panels

Pick Up > We Pay  
OR  
Free Delivery  
see page 3

## Heavy Duty Steel Truss Leg & Wheel Docks

See decking & color  
choices on page 8.

Stock Size	Weight*	 CEDAR	 WEARDECK®
		Price	Price
<b>LEG DOCKS</b>			
4' x 8'	100 lbs.	\$ 1,200	\$ 1,445
4' x 10'	115 lbs.	\$ 1,300	\$ 1,590
6' x 8'	125 lbs.	\$ 1,565	\$ 1,865
6' x 10'	145 lbs.	\$ 1,655	\$ 2,055
2' x 10' catwalk (std duty**)	75 lbs.	\$ 690	\$ 830
3' x 3' triangle corner	19 lbs.	\$ 425	\$ 460
<b>WHEEL DOCKS</b>			
4' x 16'	208 lbs.	\$ 2,590	\$ 3,015
6' x 16'	265 lbs.	\$ 2,920	\$ 3,515
4' x 16' with 4' x 8' L	316 lbs.	\$ 3,815	\$ 4,450
6' x 16' with 4' x 8' L	373 lbs.	\$ 4,155	\$ 4,915

Dock pricing includes frame and removable decking. Wheel dock pricing includes (1) pair of wheels and axle assembly. The necessary assembly components are sold separately. \*Weights for docks do not include the decking. \*\*Catwalk shown on page 35, bottom right.

## Assembly Components

### Connecting Brackets

each connection  
requires (4)

End-to-end: \$ 18/ea

Side-by-side: \$ 18/ea

Catwalk (3"): \$ 15/ea

catwalk requires (2)

3" brackets & (2) truss

end-to-end brackets



### Safety Cap for 1 1/2" pipe

\$ 5.75 each

### Galvanized Pipe 1 1/2"

cut to length  
pending water depth

\$ 9.50 per foot



### Footpad (galvanized steel)

\$ 48 each



### Dock Panel Securing Cord

\$ 6 set of 4



### Cross Braces (optional) stabilizes docks in deeper water

4 foot: \$ 195

6 foot: \$ 205

8 foot: \$ 215

10 foot: \$ 225



Size based on distance between support pipe.



## Leg & Wheel Docks : Mega Duty Steel Truss

Designed for use in rough and deep water applications, our mega duty steel truss leg and wheel docks feature taller frames, longer and wider sections, and larger diameter upright supports than our heavy duty steel truss dock systems. Available in two stock sizes (or contact us for custom dock size options).



*WearDeck decking  
in Barefoot Gray*



**Sliding Boat Boarding Step** (see p.15)





Mega dock in an "L" shaped configuration with Ipe decking and 3' x 24' aluminum gangway.



Mega wheel dock with cedar decking.

## Mega Duty Steel Truss Leg & Wheel Docks

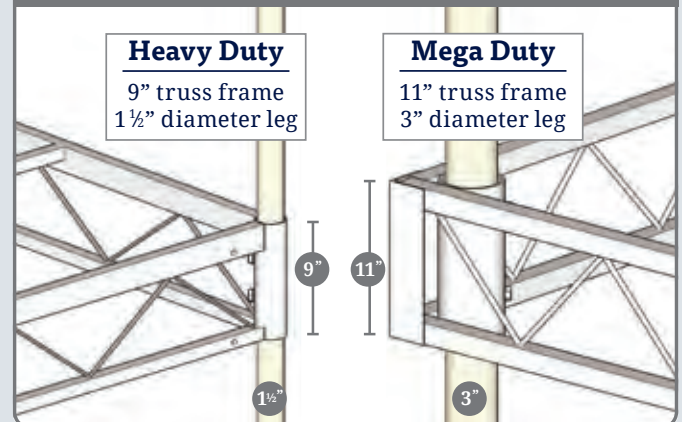
- Designed for use in rough & deep water applications
- 11" tall galvanized steel truss frame
- 3" diameter upright supports
- Stocked in 6' x 20' & 8' x 20' sizes (custom sizes available)
- Adjustable leg stanchions built into frame
- Removable decking in Cedar or WearDeck
- Ipe hardwood decking option also available

Pick Up > We Pay  
or Free Delivery

see page 3



### Heavy Duty vs. Mega Duty Frames





## Leg & Wheel Docks : Mega Duty Steel Truss



Lake George, NY

*Our Mega dock in a U-shaped configuration to create a boat slip. Shown with optional skirt boards to camouflage the steel truss frame and vertical fenders (see D on page 11). WearDeck decking in Saddle.*





*Above: Mega Duty dock system, accessed by our custom steel stairs and shoreside platform, which provides deck space on this steep shoreline (see our Custom Catalog).*



**WearDeck decking  
in Weatherwood**



**Dock frames being manufactured in our Vermont Facility**



**Delivery of a mega dock system & boat lift to an island site.**



**One of our crews  
installing a mega  
dock system.**



# Leg & Wheel Docks : Mega Duty Steel Truss



*Our Mega dock used as a shoreside access & mount for a custom floating dock (see our Custom Catalog). Ipe hardwood decking.*



*Mega Dock in a U-shaped configuration to create a boat slip. Custom aluminum canopy mounts and Sunbrella canopy in Forest Green.*





6' x 20' Mega Duty Leg Dock  
with removable deck panels



## Mega Duty Steel Truss Leg & Wheel Docks

See decking & color choices on page 8.

Stock Size	Weight*	CEDAR	WEARDECK™	IPE hardwood
		Price	Price	available as a special order.
<b>LEG DOCKS</b>				
6' x 20'	418 lbs.	\$ 5,040	\$ 5,710	call for quote
8' x 20'	490 lbs.	\$ 6,745	\$ 7,710	call for quote
<b>WHEEL KITS</b>				
for 6' wide docks: \$ 605		Dock pricing includes frame and removable decking. Wheel dock pricing includes (2) pairs of wheels and axle assembly. The necessary assembly components are sold separately. *Weights for docks do not include the decking.		
for 8' wide docks: \$ 625				

## Assembly Components

**Connecting Brackets**  
each connection requires (4)  
**\$ 34 each**



**Safety Cap**  
for 3" pipe  
**\$ 7.25 each**



**Galvanized Pipe 3"**  
cut to length pending water depth  
**\$ 18 per foot**



**Footpad**  
(galvanized steel)  
**\$ 64 each**

**Dock Panel Securing Cord**  
**\$ 6 set of 4**



**Cross Braces**  
(not shown, optional stabilizes docks in deeper water)  
**\$ 230** (6' wide docks)  
**\$ 240** (8' wide docks)



**Mega Dock Adjustment Kit**  
adjust the level of your dock with this kit that slides over the 3" leg pipe  
**\$ 589 pair**



Look for the red truck throughout our catalog for products that qualify for free delivery\* or pick up & save\*\*!

Pick Up > We Pay  
OR Free Delivery



## Free Delivery

our trucks deliver curbside\* to your site

Minimum Purchase Amount (not including sales tax)	Free Delivery from Ferrisburgh, VT (distance based on Google Maps)	Delivery Charge One-Way (over the free mile range)
\$ 2,000	25 miles	\$4. <sup>00</sup> / mile**
\$ 4,000	50 miles	\$4. <sup>00</sup> / mile**
\$ 6,000	100 miles	\$4. <sup>00</sup> / mile**
\$ 8,000	150 miles	\$4. <sup>00</sup> / mile** <sup>^</sup>
\$ 10,000	200 miles	\$4. <sup>00</sup> / mile** <sup>^</sup>

OR

## Pick Up & Save

we will pay you to pick up<sup>†</sup>



Minimum Purchase Amount (not including sales tax)	Pick Up Discount
\$ 2,000	\$75.00
\$ 4,000	\$150.00
\$ 6,000	\$300.00
\$ 8,000	\$450.00
\$ 10,000	\$600.00

**\* Free Curbside Delivery Terms & Conditions:** 1. Curbside delivery definition: We will back up as close as we can with our vehicle to your installation site and off-load your product. We cannot carry your product further than the side/rear of our truck/trailer. Our delivery vehicles cannot go off of approved driveway surfaces (ie on grass, etc.). 2. Free delivery available on The Dock Doctors® Stock Products only. Please see chart above for minimum purchase amounts to qualify for free delivery. Free delivery does not apply to Rowing or Paddle Docks or Ultimate Boat Lifts. 3. Boat Lifts, canopies & accessories – free delivery applies to products in stock only. 4. If you want your product installed, please inquire on rates for this service – free delivery does not apply. 5. Additional fees apply for wide loads (assembled boat lifts) & ferry charges, if needed. 6. Purchases under \$2,000 are subject to a \$4.00 per mile one way charge from Ferrisburgh, VT. A ground shipping method/charge by another source such as Common Carrier or UPS may be more feasible depending on product purchased. 7. <sup>^</sup> Due to regulations for hourly driving restrictions by the Federal Motor Carrier there may be an additional fee applicable to deliveries 200 miles or over for overnight charges. 8. Large loads may require assistance on site to off-load.

**\*\* Pickup & Save Conditions:** 1. Applies to pickup at our Ferrisburgh, Vermont warehouse, arranged by the customer. 2. Available on The Dock Doctors® Stock Products only. Please see chart above right for minimum purchase amounts to qualify for pickup and save. Does not apply to Rowing or Paddle Docks or Ultimate Boat Lifts. 3. Boat Lifts, canopies & accessories – pickup and save applies to products in stock only.